

# 9.5mm pitch high power rising clamp terminal blocks

## Product overview

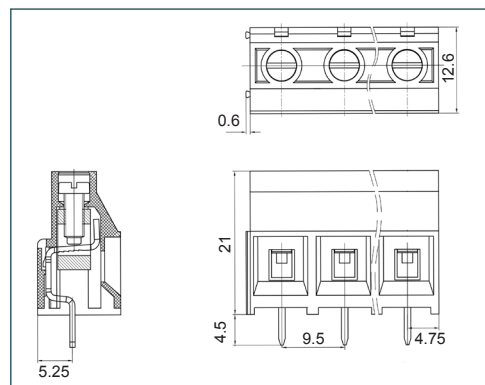
- 2 and 3 pole double interlocking mechanism for increased strength
- Professional rising clamp terminals
- High profile
- Moulded in green UL94-V0 flame retardant PA66
- Cable acceptance - 0.13-5.26mm<sup>2</sup> (26-10AWG)
- Guided pin alignment
- 32A 630V
-   approved

CTBP04VZ



SPECIFICATION	
Rating	UL=30A/300V, VDE=32A/630V
Insulation resistance	500M $\Omega$ /500V
Withstand voltage	AC2000V/1min
Contact resistance	20m $\Omega$ (max)
Working temperature	-40°C to +105°C
Moulding	UL94-V0 flame retardant PA66
Pin/terminal	Tin plated brass
Rising clamp	Brass, nickel plated
Screw/torque	M3 steel, zinc plated 0.5Nm
Recommended PCB hole size	$\phi$ 1.6mm

PART NO.	POLES	LENGTH
CTBP04VZ/2	2	19.0mm
CTBP04VZ/3	3	28.5mm
CTBP04VZ/4	4	38.0mm
CTBP04VZ/5	5	47.5mm
CTBP04VZ/6	6	57.0mm
CTBP04VZ/7	7	66.5mm
CTBP04VZ/8	8	76.0mm
CTBP04VZ/9	9	85.5mm
CTBP04VZ/10	10	95.0mm
CTBP04VZ/11	11	104.5mm
CTBP04VZ/12	12	114.0mm



## KEY FEATURES

High power 32A | Double interlock mechanism | Professional rising clamp



081

TERMINAL STRIPS

095

WIRE TO BOARD  
CONNECTORS

100

CIRCULAR  
CONNECTORS

151

IP68 CONNECTORS

158

INTERFACE  
MODULES AND  
RELAY BASES