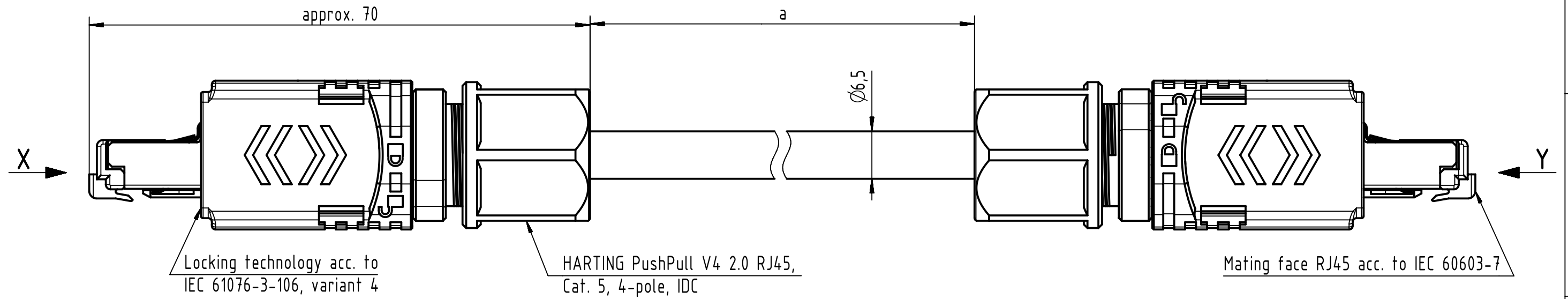


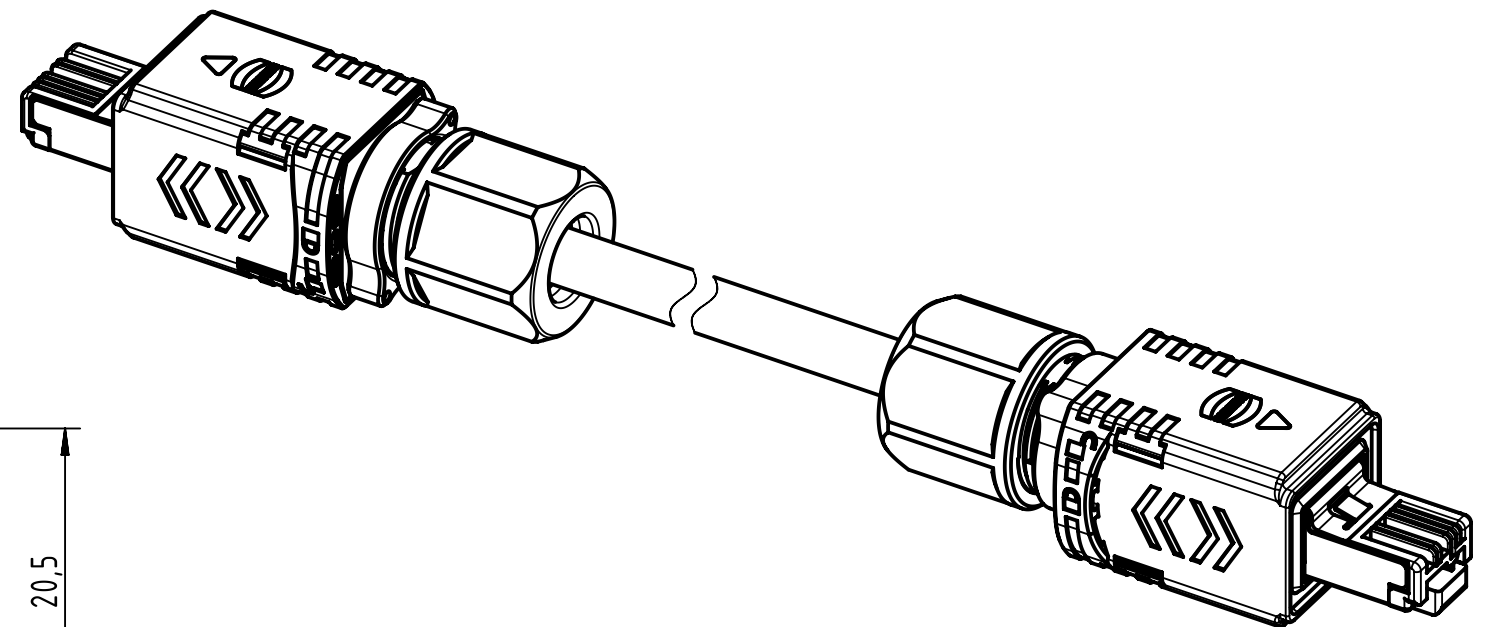
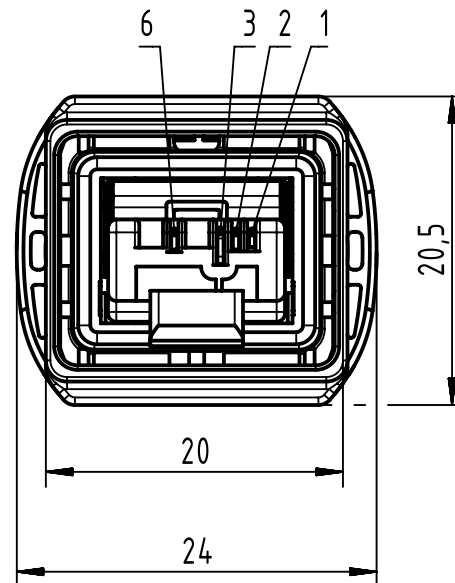
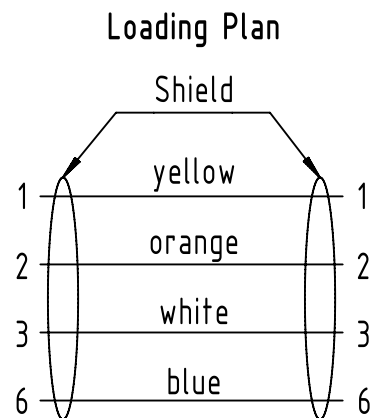
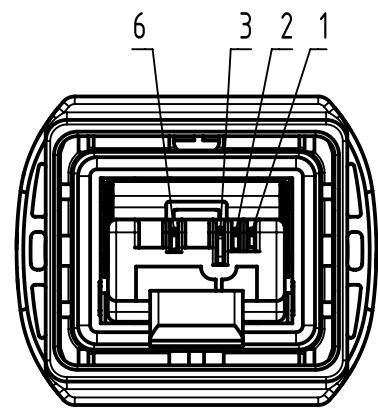
Connector Location A

Connector Location B



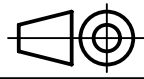

X male

Y male



- Protection level: IP65/67  
 - Temperature range: -40°C ... +70°C

	All Dimensions in mm	Tech. Character.		Free size tol.		According to production drawing	
	All rights reserved Department HCS - RO	Created by BANCIUD Banciu	Inspected by COSTEA Costea	Standardisation MUNTEANV Muntean	Date 2019-08-08	State Final Release	
HARTING Customised Solutions D-32339 Espelkamp		Title HARTING PushPull RJ45 Cable Assembly				Doc-Key / ECM-Nr. 100155480/UGD/008/E 500000156257	
		Type TB	Number 09473636XXX			Rev. E	Page 1/2

1	2	3	4	5	6	7	8		
RJL Ethernet Stranded Cable, 4xAWG 22/7, PVC, Cat. 5+, green				RJL Ethernet Stranded Cable, 4xAWG 22/7, PVC outdoor, Cat. 5+, black					
RJL Ethernet Standard Cable, 4xAWG 22/1, PVC, Cat. 5+, green				RJL Ethernet Trailing Cable, 4xAWG 22/7, PUR, Cat. 5+, green					
49	09473636044		100	93	09473636088		100		
48	09473636043		90	92	09473636087		90		
47	09473636042		80	91	09473636086		80		
46	09473636041		70	90	09473636085		70		
45	09473636040		60	89	09473636084		60		
44	09473636039		50	88	09473636083		50		
43	09473636038		40	87	09473636082		40		
42	09473636037		30	86	09473636081		30		
41	09473636036		20	85	09473636080		20		
40	09473636035		15	84	09473636079		15		
39	09473636034		10	83	09473636078		10		
38	09473636033		9	82	09473636077		9		
37	09473636032		8	81	09473636076		8		
36	09473636031		7	80	09473636075		7		
35	09473636030		6	79	09473636074		6		
34	09473636029		5	78	09473636073		5		
33	09473636028		4	77	09473636072		4		
32	09473636027		3	76	09473636071		3		
31	09473636026		2	75	09473636070		2		
30	09473636025		1.5	74	09473636069		1.5		
29	09473636024		1	73	09473636068		1		
28	09473636023		0.5	72	09473636067		0.5		
27	09473636022		100	71	09473636066		100		
26	09473636021		90	70	09473636065		90		
25	09473636093		85	69	09473636064		80		
24	09473636020		80	68	09473636063		70		
23	09473636019		70	67	09473636062		60		
22	09473636092		65	66	09473636061		50		
21	09473636018		60	65	09473636060		40		
20	09473636091		55	64	09473636059		30		
19	09473636017		50	63	09473636058		20		
18	09473636016		40	62	09473636057		15		
17	09473636090		35	61	09473636056		10		
16	09473636015		30	60	09473636055		9		
15	09473636089		25	59	09473636054		8		
14	09473636014		20	58	09473636053		7		
13	09473636013		15	57	09473636052		6		
12	09473636012		10	56	09473636051		5		
11	09473636011		9	55	09473636050		4		
10	09473636010		8	54	09473636049		3		
9	09473636009		7	53	09473636048		2		
8	09473636008		6	52	09473636047		1.5		
7	09473636007		5	51	09473636046		1		
6	09473636006		4	50	09473636045		0.5		
5	09473636005		3						
4	09473636004		2						
3	09473636003		1.5						
2	09473636002		1						
1	09473636001		0.5						
<b>Cont. no.</b>	<b>Part no.</b>	<b>Type of cable</b>	<b>Dim. a[m]</b>	<b>Cont. no.</b>	<b>Part no.</b>	<b>Type of cable</b>	<b>Dim. a[m]</b>		
 All Dimensions in mm				Tech. Character.				Free size tol.	
 All rights reserved Department HCS - RO				Created by BANIUD Banciu		Inspected by COSTEA Costea		Standardisation MUNTEANV Muntean	
HARTING Customised Solutions D-32339 Espelkamp				Title HARTING PushPull RJ45 Cable Assembly				Date 2019-08-08	
				State Final Release		Doc-Key / ECM-Nr. 100155480/UGD/008/E 500000156257			
				Type TB		Number 09473636XXX		Rev. E Page 2/2	