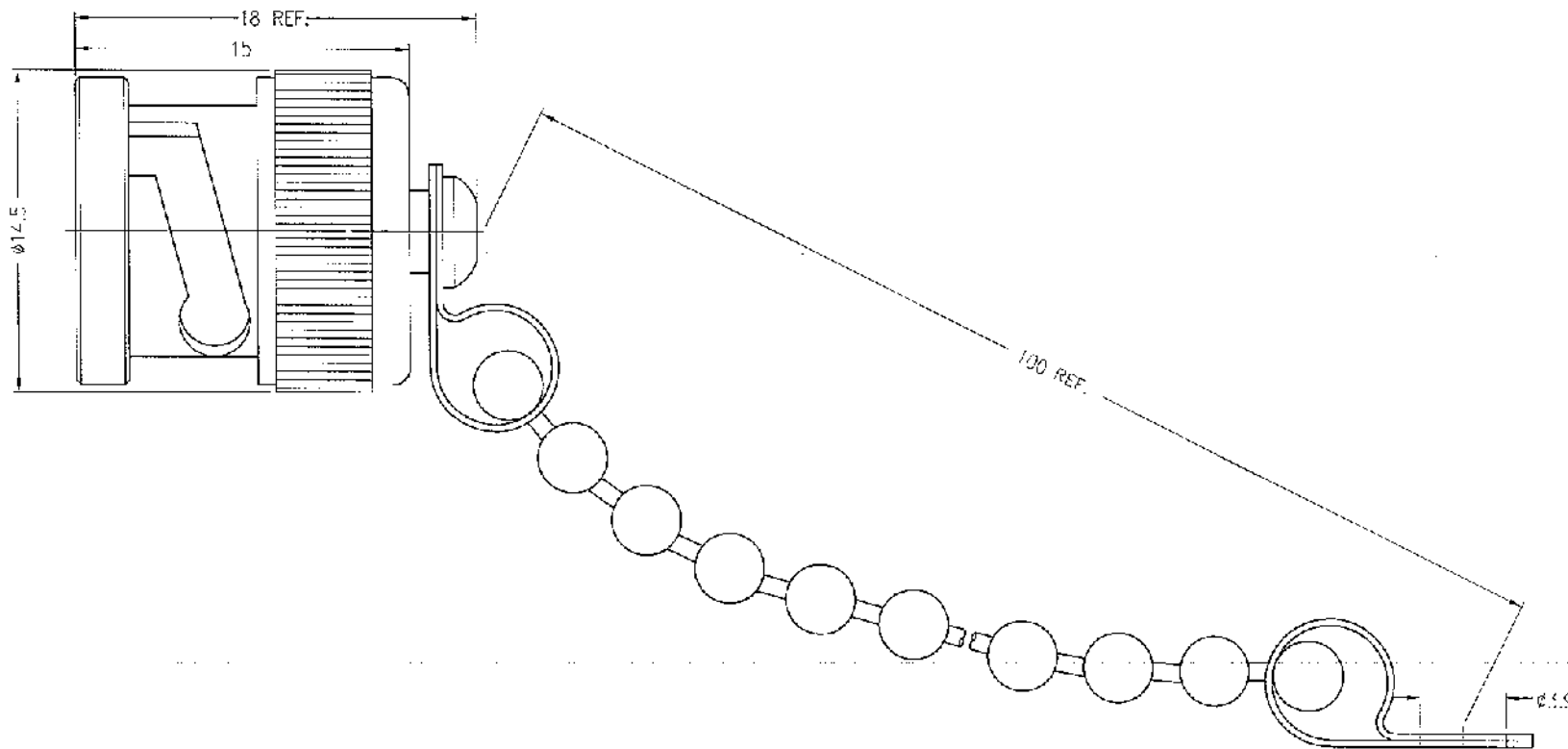


NOTES:

1. MATERIALS AND FINISHES:
 SHELL - ZINC DIECAST, NICKEL PLATING
 CHAIN - BRASS, NICKEL PLATING
2. MECHANICAL:
 A. DURABILITY: 500 CYCLES MIN.
 B. TEMPERATURE RANGE: 52°C to 126°C

31-6 RFX		REVISIONS			
PART NO.	REV	DESCRIPTION	DATE	FCO	APPR
THIRD ANGLE PROJ.	B	RELEASE TO MFG.	7/13/06	4654	GH



CUSTOMER OUTLINE DRAWING

ALL OTHER SHEETS ARE FOR INTERNAL USE ONLY

UNLESS OTHERWISE SPECIFIED, DIMENSIONS ARE IN METRIC AND TOLERANCES ARE: 0.5 - 6mm ±0.1mm 6 - 30mm ±0.2mm 30 - 120mm ±0.3mm ANGLES ±1°	MATERIAL	DRAWN CARRA	DATE 23-Jun-06	TITLE BNC HALF CAP WITH CHAIN		Amphenol RF Danbury CT USA, Taichung Taiwan, Shenzhen China www.amphenorfr.com	
	REFERENCE	ENGINEER	DATE 23-Jun-06	SCALE: 3/1	SHEET 2 OF 2		DRAWING NO. B1005B1-N
NOTICE - These drawings, specifications, or other data (1) are, and remain the property of Amphenol Corp. (2) must be returned upon request; and (3) are confidential and not to be disclosed to any person other than those to whom they are given by Amphenol Corp. The furnishing of these drawings, specifications, or other data by Amphenol Corp., or to any other person to anyone for any purpose is not to be regarded by implication or otherwise in any manner licensing, granting rights or permitting such holder or any other person to manufacture, use or sell any product, process or design, patented or otherwise, that may in any way be related to or disclosed by said drawings, specifications, or other data.	FINISH	APPROVED <i>H. G. G.</i>	DATE 7/13/06	DWG SIZE E	CODE ID 74568	REV 3	ITEM NO. 011005AA:00NHOF
			CAD FILE F:\DWG\B\1005B1\NS7				