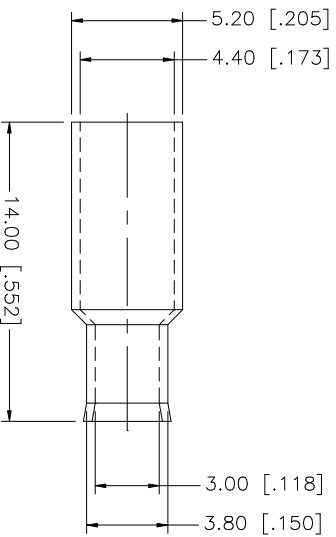
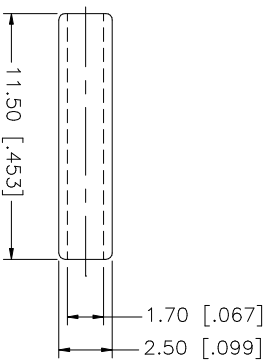
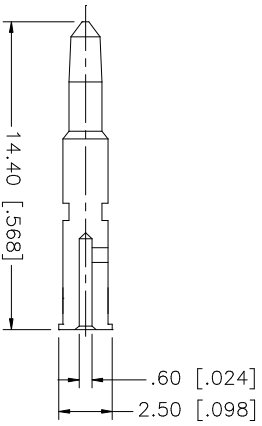
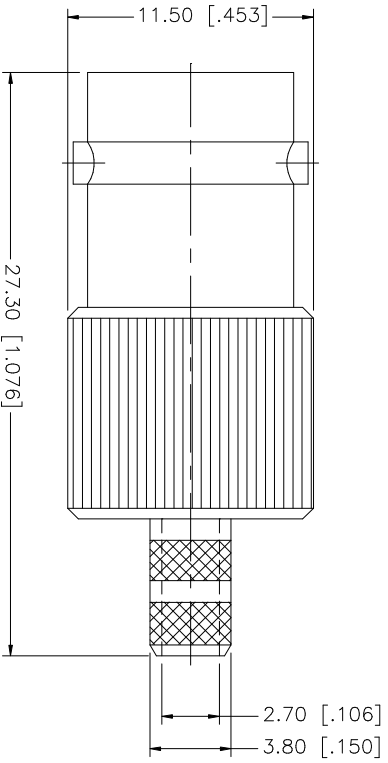
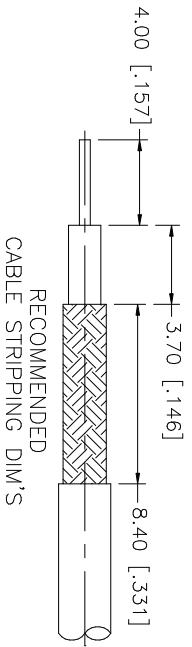


REV.	DATE	DESCRIPTION
NC	10/07/99	INITIAL RELEASE
A	07/28/06	UPDATE DRAWING FORMAT



NO.	DESCRIPTION	MATERIAL	FINISH	QTY	UNLESS OTHERWISE SPECIFIED DIMENSIONS ARE INCHES AND FOR CUSTOMER REFERENCE ONLY. TOLERANCES FOR MILLIMETERS ARE: UNLESS OTHERWISE SPECIFIED 0.5 - 8mm ± 0.20mm 8 - 30mm ± 0.40mm 30 - 120mm ± 0.50mm UNLESS OTHERWISE SPECIFIED DIMENSIONS FOR INCHES ARE: UNLESS OTHERWISE SPECIFIED .020 - .315 = ± 0.007" .315 - 1.180 = ± 0.015" 1.180 - 4.724 = ± 0.020"	DO NOT SCALE DRAWING	APPROVALS	DATE	PART DESCRIPTION							
8									Amphenol Connex BNC CRIMP JACK - REVERSE POLARIZED (FOR RG-174/U, 188A/U, 316/U CABLE)							
7																
6	FERRULE	BRASS	GOLD	1												
5	SLEEVE	DELRIN	NATURAL	1												
4	CONTACT PIN	BER. COPPER	GOLD	1												
3	INSULATOR	TEFLON	NATURAL	1												
2	BODY	BRASS	GOLD	1												
1	DESCRIPTION															
					CAD FILE		C:/112/112160RP.DWG		DWG. NO.	112160RP.DWG	REV.	A	SIZE	A	SCALE	NA