

General Purpose Power Entry Module with Switch



Rated currents up to 10 A
High quality 2-pole rocker switch
Optional reduced leakage current versions (A/B type)
Complies with IEC/EN 60601-1
Snap-in versions (S type)
Good attenuation performance



Performance indicators

Attenuation performance



Rated current [A]



Approvals & Compliances



Features and benefits

Excellent conducted attenuation performance, based on chokes with high saturation resistance and good thermal behavior

High quality 2-pole rocker switch for all-pole disconnection

Faston terminals for easy assembly

FN 9264 B versions comply with the requirements of 1MOP acc. to IEC/EN 60601-1 for creepage and clearance, leakage current and high potential testing

As flange mount and snap-in types available

Typical applications

Portable electrical and electronic equipment

EDP and office equipment

Single-phase power supplies

Switch-mode power supplies

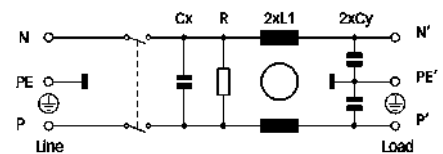
Test and measurement equipment

Medical electrical devices (MD) and In-Vitro

Diagnostic (IVD) medical devices

Typical electrical schematic

FN 9264 (B types without Y-capacitors)



Technical specifications

Maximum continuous operating voltage

Operating frequency

Rated currents

High potential test voltage for capacitors

Protection category

Temperature range (operation and storage)

Design corresponding to

Flammability corresponding to

MTBF @ 40°C/230 V (Mil-HB-217F)

Rocker switch description

Function

Electrical specifications

Switch ratings

Europe (ENEC)

USA (UL)

250 VAC, 50/60 Hz

DC to 400 Hz

1 to 10 A @ 40°C max.

P → PE 2000 VAC for 2 sec (Standard)

P → PE 2500 VAC for 2 sec (B-types)

P → N 760 VAC for 2 sec

IP 40 according to IEC 60529

-25°C to +85°C (25/85/21)

-25°C to +85°C (25/85/21)

UL 60939-3, CSA Std C22.2 No. 8, IEC/EN 60939-3, GB/T15287, GB/T15288

UL 94 V-2 or better

≥ 616,000 hours

2-pole, dark not illuminated

Marking I – 0

Inrush current 100 A

50,000 on-off operations for 10 A according to EN 610581-1


10 A (4 A), 250 VAC* 5E4

16 A (4 A), 250 VAC* 1E4

20 A, 125 VAC 1 HP; 250 VAC 2 HP;

* Value in () relates to the inductive current charge: $\cos\phi = 0.65$

Filter selection table

Filter	Rated current @ 40°C (25°C)	Leakage current* @ 250 VAC/50 Hz (@120 VAC/60Hz)	Inductance** L	Capacitance**		Resistance** R	Output connections	Weight
				Cx	Cy			
	[A]	[mA]	[mH]	[μF]	[nF]	[kΩ]		[g]
FN 9264xx-1-06-y	1 (1.2)	0.31 (0.18)	5.15	0.1	2.2	1000	-06	55
FN 9264xx-2-06-y	2 (2.3)	0.31 (0.18)	2.7	0.1	2.2	1000	-06	55
FN 9264xx-3-06-y	3 (3.6)	0.31 (0.18)	2		2.2	1000	-06	55
FN 9264xx-4-06-y	4 (4.6)	0.31 (0.18)	1	0.1	2.2	1000	-06	55
FN 9264xx-6-06-y	6 (6.9)	0.31 (0.18)	0.3	0.1	2.2	1000	-06	55
FN 9264xx-10-06-y	10 (11.5)	0.31 (0.18)	0.21	0.1	2.2	1000	-06	55

*** Leakage current under normal operating conditions (acc. to IEC60939-3). Note: if the neutral line is interrupted, worst case leakage could reach twice this level.

*** Tolerances apply: Inductance: -30/+50%, Capacitance: ±20%, Resistance: ±10%

Product selector

FN 9264xx-yy-yy-y

Snap-In range for S version only

Blank: Snap-in panel thickness range 1.0 to 2.5 mm


30: Snap-in panel thickness range >2.5 to 3.5 mm


06: Faston 6.3 x 0.8mm (spade/soldering)

1 to 10: Rated current

Blank: Standard version

B: Medical version (without Y2-capacitor, leakage current max 2μA*)

 Blank: Standard housing with mounting flanges

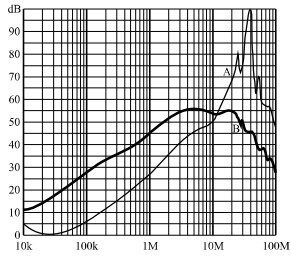
 S: Snap-in version, snapper on vertical side

For example: FN 9264-1-06, FN 9264 B-6-06, FN 9264 SB-4-06-30

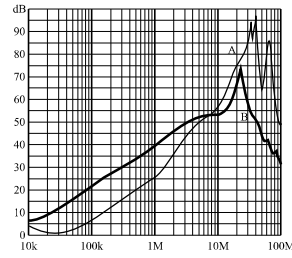
Typical filter attenuation

Per CISPR 17; A=50 Ω/50 Ω sym; B=50 Ω/50 Ω asym

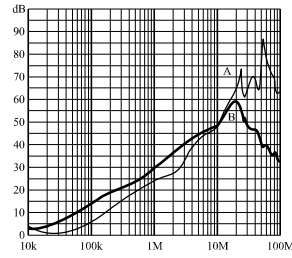
1 A Standard types



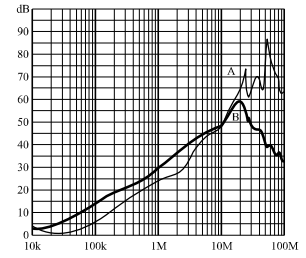
2 A Standard types



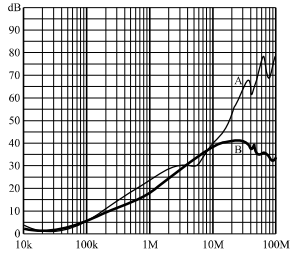
3 A Standard types



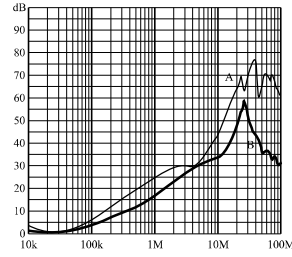
4 A types



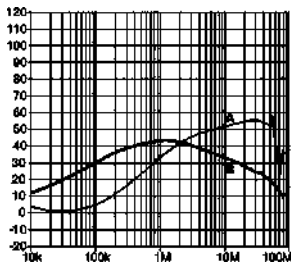
6 A Standard types



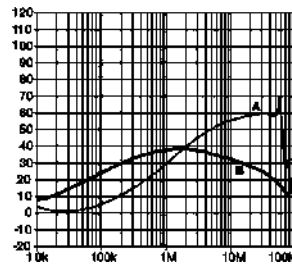
10 A Standard types



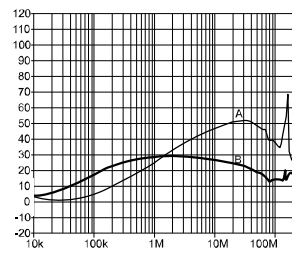
1 A B-types



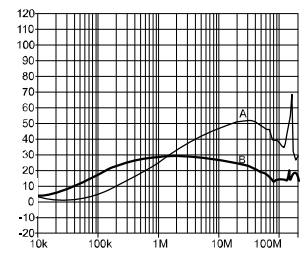
2 A B-types



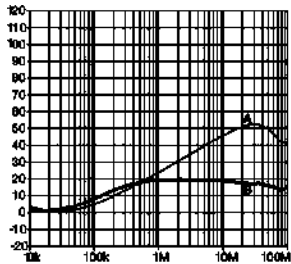
3 A B-types



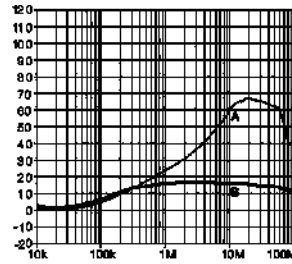
4 B types



6 A B-types



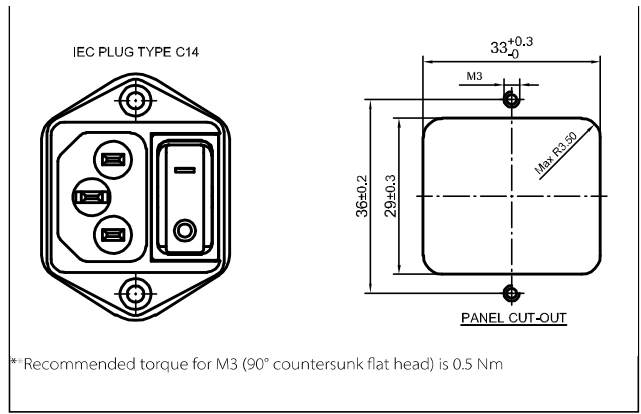
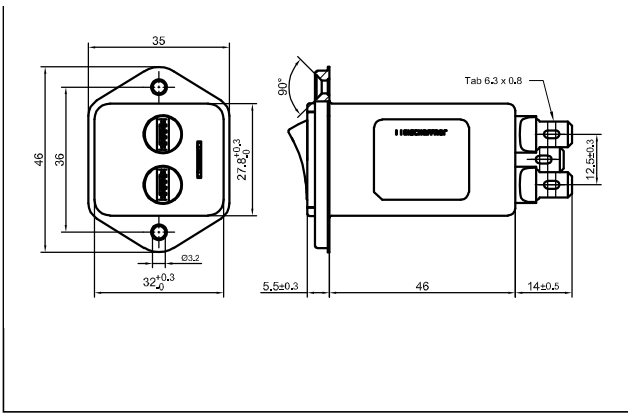
10 A B-types



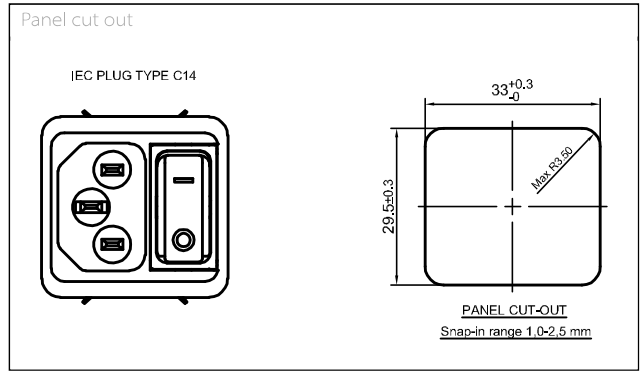
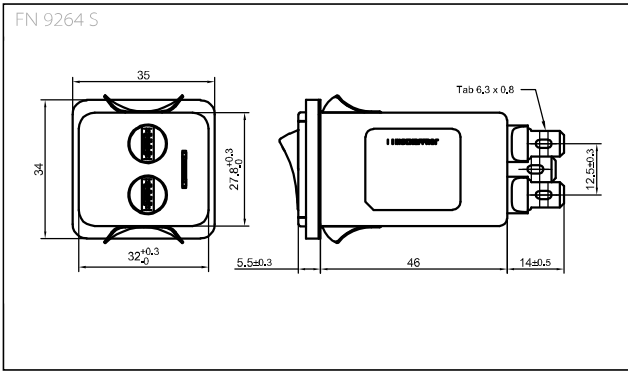
Mechanical data

FN 9264

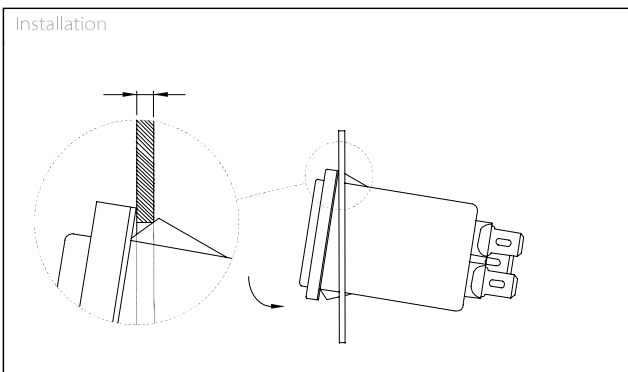
Panel cut out*



* Recommended torque for M3 (90° countersunk flat head) is 0.5 Nm



PANEL CUT-OUT
Snap-in range 1.0-2.5 mm



Accessories

Power Cord with Locking System



Locking system for standardized IEC C14/C20 inlet filter

No accidental disconnection

Rated current up to 10 A (C13 plug), up to 15 A (C13P plug), and up to 16 A (C19 plug)

Fits any Schaffner IEC C14/C20 inlet filter

Retrofit for any IEC C14/C20 inlet

Various power line plugs for international usage

[Datasheet PDF >](#)

IL 13P IEC C13 Rewireable Angled Connectors with Locking System



Locking system for standardized IEC C14 inlet filter

No accidental disconnection

Rated current up to 15 A

Fits any Schaffner IEC C14 inlet filter

Retrofit for any IEC C14 inlet

Various power line plugs for international usage

[Datasheet PDF >](#)

Power Cord with angled Locking System C13



Locking system for standardized IEC C14 inlet filter

No accidental disconnection

Rated current up to 15 A

Fits any Schaffner IEC C14 inlet filter

Retrofit for any IEC C14 inlet

Various power line plugs for international usage

[Datasheet PDF >](#)



Headquarters, global innovation and development

Switzerland
Schaffner Group



Sales and application centers

China
Schaffner EMC Ltd. Shanghai

Spain
Schaffner EMC España

Industrie Nord
 Nordstrasse 11e
 4542 Luterbach
 T +41 32 681 66 26
info@schaffner.com

T20-3 C, No 565 Chuangye Road,
 Pudong district
 201201 Shanghai
 T +86 21 3813 9500
cschina@schaffner.com
www.schaffner.com.cn

Finland
Schaffner Oy
 Sauvonrinne 19 H
 08500 Lohja
 T +358 50 468 7284
finlandsales@schaffner.com

France
Schaffner EMC S.A.S.
 16-20 Rue Louis Rameau
 95875 Bezons
 T +33 1 34 34 30 60
 F +33 1 39 47 02 28
francesales@schaffner.com

Germany
Schaffner Deutschland GmbH
 Schoemperlenstrasse 12B
 76185 Karlsruhe
 T +49 721 56910
germanysales@schaffner.com

India
Schaffner India Pvt. Ltd
 REGUS WORLD TRADE CENTRE
 WTC, 22nd Floor Unit No 2238, Brigade Gateway
 Campus, 26/1, Dr. Rajkumar Road Malleshwaram
 (W)
 560055 Bangalore
 T +91 80 67935355
indiasales@schaffner.com

Italy
Schaffner EMC S.r.l.
 Via Ticino, 30
 20900 Monza (MB)
 T +39 039 21 41 070
italysales@schaffner.com

Japan
Schaffner EMC K.K.
 Taiju-Seimei Sangenjaya Bldg.
 1-32-12, Kamiyama, Setagaya-ku
 154-0011 Tokyo
 T +81 3 5712 3650
 F +81 3 5712 3651
japansales@schaffner.com
www.schaffner.jp

Singapore
Schaffner EMC Pte Ltd.
 #05-09, Kg Ubi Ind. Estate
 408705 Singapore
 T +65 6377 3283
 F +65 6377 3281
singaporesales@schaffner.com

Calle Caléndula 93, Miniparc III, Edificio E
 El Soto de Moraleja, Alcobendas
 28109 Madrid
 T +34 917 912 900
 F +34 917 912 901
spainsales@schaffner.com

Sweden
Schaffner EMC AB
 Östermalmstorg 1
 114 42 Stockholm
 T +46 8 5050 2425
swedensales@schaffner.com
www.schaffner.com

Switzerland
Schaffner EMV AG
 Industrie Nord
 Nordstrasse 11e
 4542 Luterbach
 T +41 32 681 66 88
 T +41 32 681 66 26
switzerlandsales@schaffner.com

Taiwan
Schaffner EMV Ltd.
 20 Floor-2, No 97, Section 1, XinTai 5th Road
 22175 XiZhi District New Taipei City 22175
 T +886 2 2697 5500
 F +886 2 2697 5533
taiwansales@schaffner.com
www.schaffner.com.tw

Thailand
Schaffner EMC Co. Ltd.
 Northern Region Industrial Estate
 67 Moo 4 Tambon Ban Klang
 Amphur Muangng P.O. Box 14
 51000 Lamphun
 T +66 53 58 11 04
 F +66 53 58 10 19
thailandsales@schaffner.com

United Kingdom
Schaffner Ltd.
 1, Oakmede Place
 Binfield
 RG42 4JF Berkshire
 T +44 118 9770070
 F +44 118 9792969
uksales@schaffner.com

USA
Schaffner EMC Inc.
 52 Mayfield Avenue
 Edison, New Jersey
 T +1 732 225 9533
 F +1 732 225 4789
usasales@schaffner.com
www.schaffnerusa.com

To find your local partner within Schaffner's global network: www.schaffner.com

© 2022 Schaffner Group

The content of this document has been carefully checked and understood. However, neither Schaffner nor its subsidiaries assume any liability whatsoever for any errors or inaccuracies of this document and the consequences thereof. Published specifications are subject to change without notice. Product suitability for any area of application must ultimately be determined by the customer. In all cases, products must never be operated outside their published specifications. Schaffner does not guarantee the availability of all published products. This disclaimer shall be governed by substantive Swiss law and resulting disputes shall be settled by the courts at the place of business of Schaffner Holding AG. Latest publications and a complete disclaimer can be downloaded from the Schaffner website. All trademarks recognized.