

SIEMENS CONTACTOR SUPPRESSOR

RC, 230VAC/DC

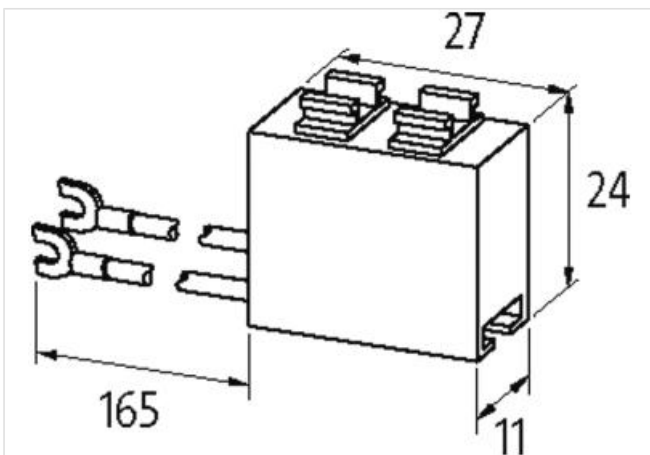
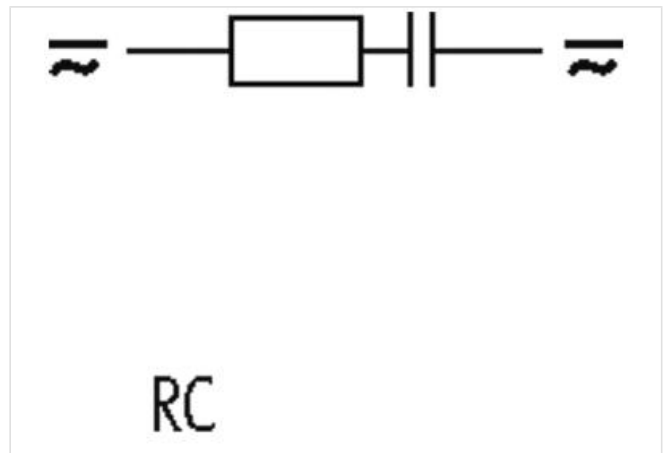
230 V AC/DC

RC

For other configurations and voltages, please inquire.

[Link to Product](#)

Illustration



Product may differ from Image



Commercial data

ECLASS-6.0	27371013
ECLASS-6.1	27371013
ECLASS-7.0	27371013
ECLASS-8.0	27371013
ECLASS-9.0	27371013
ECLASS-10.1	27371013

ECLASS-11.1	27371013
ECLASS-12.0	27371013
ETIM-5.0	EC002498
customs tariff number	85363010
GTIN	4048879019781
Packaging unit	1

Compatibility | Compatible with

Appropriate contactors 3 TH 3/4/8; 3 TF 30...45; 3 TB 40...3 TB 44

Electrical data

Damping factor 1.5x UN

Electrical data | Input

Input voltage AC min. 127 V

Input voltage AC max. 240 V

Input voltage DC min. 127 V

Input voltage DC max. 240 V

Installation | Connection

Connection information self-securing cable forks

Device protection | Media

Flame resistance flame retardant

Mechanical data | Material data

Combustibility class housing (UL94) V-0

Material housing Plastic

Mechanical data | Mounting data

Height 11 mm

Width 27 mm

Depth 24 mm

Environmental characteristics | Climatic

Operating temperature min. -20 °C

Operating temperature max. 70 °C