



**Rail D-Sub Backshells**

TE Internal #: 1-2308348-9

D-Sub Backshells & Clamps, Crimp Flange, Shielded, Wire & Cable, -40 – 194 °F [-40 – 90 °C], Rail D-Sub Backshells

[View on TE.com >](#)

Connectors > D-Shaped Connectors > D-Sub Accessories > D-Sub Backshells & Clamps > CRIMP FLANGE FOR SIZE 4-5STD/5QL SHELL



D-Shaped Connector Accessories: **Crimp Flange**

Shielded: **Yes**

Connector & Contact Terminates To: **Wire & Cable**

Operating Temperature Range: **-40 – 90 °C [-40 – 194 °F]**

**All CRIMP FLANGE FOR SIZE 4-5STD/5QL SHELL (17)**

**Features**

**Product Type Features**

Clam Shell Length	Standard
Grommets	Without
Slide Latch	Without
Product Type	Backshell/Cable Clamp
D-Shaped Connector Accessories	Crimp Flange
Connector & Contact Terminates To	Wire & Cable

**Mechanical Attachment**

Screw & Hole Thread Size	None
--------------------------	------

**Usage Conditions**

Operating Temperature Range	-40 – 90 °C[-40 – 194 °F]
-----------------------------	---------------------------

**Operation/Application**

Shielded	Yes
----------	-----

**Product Compliance**

[For compliance documentation, visit the product page on TE.com>](#)

EU RoHS Directive 2011/65/EU	Compliant with Exemptions
EU ELV Directive 2000/53/EC	Not Yet Reviewed

China RoHS 2 Directive MIIT Order No 32, 2016

Restricted Materials Above Threshold

EU REACH Regulation (EC) No. 1907/2006

Current ECHA Candidate List: JUNE 2022 (224)

Candidate List Declared Against: JUNE 2022 (224)

SVHC &gt; Threshold:

Pb (3.5% in Component Part)

**Article Safe Usage Statements:**

Do not eat, drink or smoke when using this product. Wash thoroughly after handling. Recycle if possible and dispose of the article by following all applicable governmental regulations relevant to your geographic location.

Halogen Content

Low Halogen - Br, Cl, F, I &lt; 900 ppm per homogenous material. Also BFR/CFR/PVC Free

Solder Process Capability

Not reviewed for solder process capability

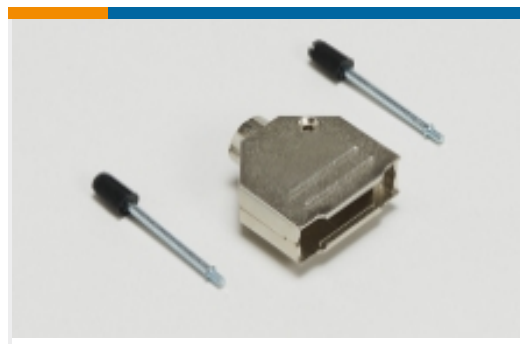
**Product Compliance Disclaimer**

This information is provided based on reasonable inquiry of our suppliers and represents our current actual knowledge based on the information they provided. This information is subject to change. The part numbers that TE has identified as EU RoHS compliant have a maximum concentration of 0.1% by weight in homogenous materials for lead, hexavalent chromium, mercury, PBB, PBDE, DBP, BBP, DEHP, DIBP, and 0.01% for cadmium, or qualify for an exemption to these limits as defined in the Annexes of Directive 2011/65/EU (RoHS2). Finished electrical and electronic equipment products will be CE marked as required by Directive 2011/65/EU. Components may not be CE marked. Additionally, the part numbers that TE has identified as EU ELV compliant have a maximum concentration of 0.1% by weight in homogenous materials for lead, hexavalent chromium, and mercury, and 0.01% for cadmium, or qualify for an exemption to these limits as defined in the Annexes of Directive 2000/53/EC (ELV). Regarding the REACH Regulation, the information TE provides on SVHC in articles for this part number is based on the latest European Chemicals Agency (ECHA) 'Guidance on requirements for substances in articles' posted at this URL: <https://echa.europa.eu/guidance-documents/guidance-on-reach>

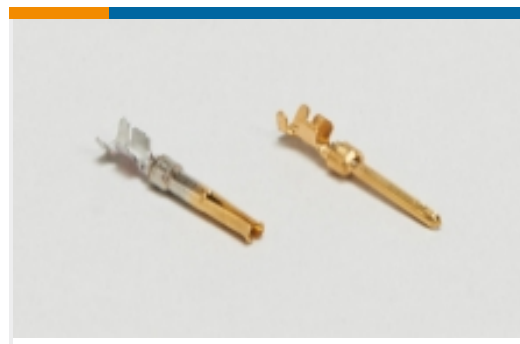
**Compatible Parts****Also in the Series | Rail D-Sub Backshells**



Crimp D-Sub Connectors(10)



D-Sub Backshells & Clamps(143)

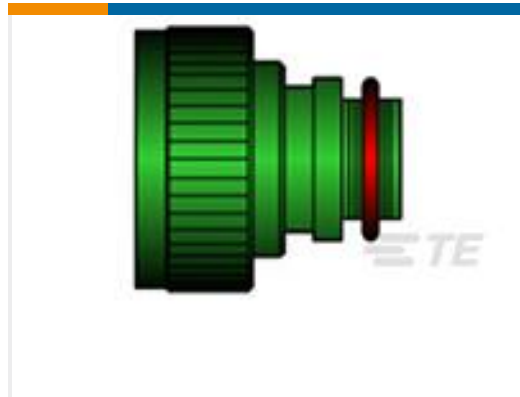


D-Sub Connector Contacts(5)

## Customers Also Bought



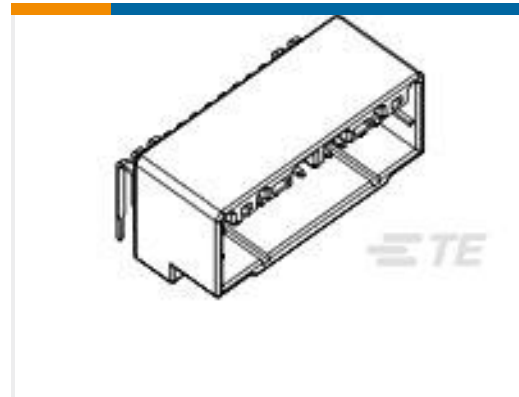
TE Part #1-2308350-3  
Crimp Barrel for D-Sub Connectors



TE Part #106021-000  
TXR54AB00-1408AI



TE Part #1987328-1  
RJ45 COMMON CORE, 4x2 POS.



TE Part #175571-6  
HYBRID I/O CAP ASSY 26P GRAY



TE Part #619933-000  
22759/34-20-8



TE Part #06AJLLF001  
/MCC/3x2x18/SH/PVC/UL2464/GY/-/



TE Part #08SELLF002  
/CAT4/5E/6/4x2x26/SH/PVC/UL2464/GY/-/

## Documents

### Product Drawings

#### CRIMP FLANGE 9 LARGE

English

### CAD Files

#### 3D PDF

3D

#### Customer View Model

[ENG\\_CVM\\_CVM\\_1-2308348-9\\_A.2d\\_dxf.zip](#)

English

#### Customer View Model

[ENG\\_CVM\\_CVM\\_1-2308348-9\\_A.3d\\_igs.zip](#)

English

#### Customer View Model

[ENG\\_CVM\\_CVM\\_1-2308348-9\\_A.3d\\_stp.zip](#)

English

By downloading the CAD file I accept and agree to the [Terms and Conditions](#) of use.



---

[Datasheets & Catalog Pages](#)

[Rail D-Sub Backshells Flyer](#)

English