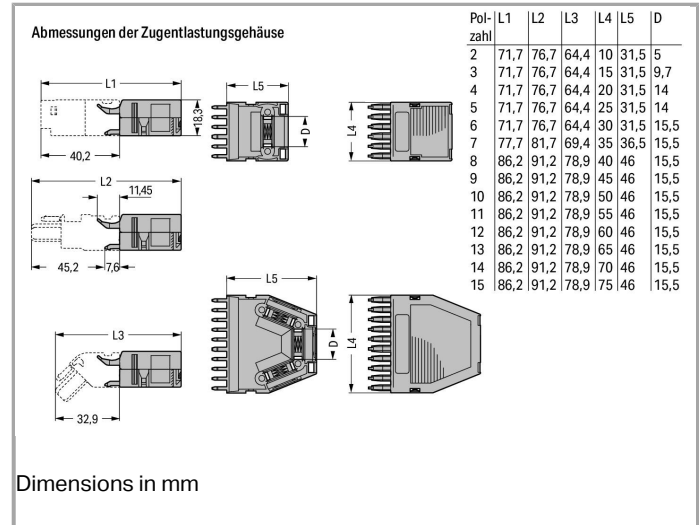


RoHS Compliant

[BOMcheck.net](https://www.bomcheck.net)

Color:



Data

Connection data

No. of poles 8

Geometrical Data

Width 40 mm / 1.575 inch

Height 18.3 mm / 0.72 inch

Depth 46 mm / 1.811 inch

Material Data

Color gray

Fire load 0.302 MJ

Weight 10.07 g

Commercial data

Country of origin DE

GTIN 4017332715140

Customs Tariff No. 85389099990

Product Group

18 (X-COM-System)

Compatible products

General accessories



Item no.: 209-173
Fixing screw; for cable clamp; 7 or more poles

www.wago.com/209-173

Item no.: 209-174
Cable clamp; for strain relief; 7 or more poles

www.wago.com/209-174

Marking accessories



Item no.: 209-501
WSB marking card; as card; not stretchable; plain; snap-on type

www.wago.com/209-501

Item no.: 209-501/000-002
WSB marking card; as card; not stretchable; plain; snap-on type

www.wago.com/209-501/000-002

Item no.: 209-501/000-005
WSB marking card; as card; not stretchable; plain; snap-on type

www.wago.com/209-501/000-005

Item no.: 209-501/000-006
WSB marking card; as card; not stretchable; plain; snap-on type

www.wago.com/209-501/000-006

Item no.: 209-501/000-007
WSB marking card; as card; not stretchable; plain; snap-on type

www.wago.com/209-501/000-007

Item no.: 209-501/000-012
WSB marking card; as card; not stretchable; plain; snap-on type

www.wago.com/209-501/000-012

Item no.: 209-501/000-017
WSB marking card; as card; not stretchable; plain; snap-on type

www.wago.com/209-501/000-017

Item no.: 209-501/000-023
WSB marking card; as card; not stretchable; plain; snap-on type

www.wago.com/209-501/000-023

Item no.: 209-501/000-024
WSB marking card; as card; not stretchable; plain; snap-on type

www.wago.com/209-501/000-024

Downloads

Documentation

Bid Text

769-1608

Oct 19, 2017

DOC

Download



23.6 kB

smartDATA

CAD data

3D Download 769-1608

URL

Download

Subject to changes.