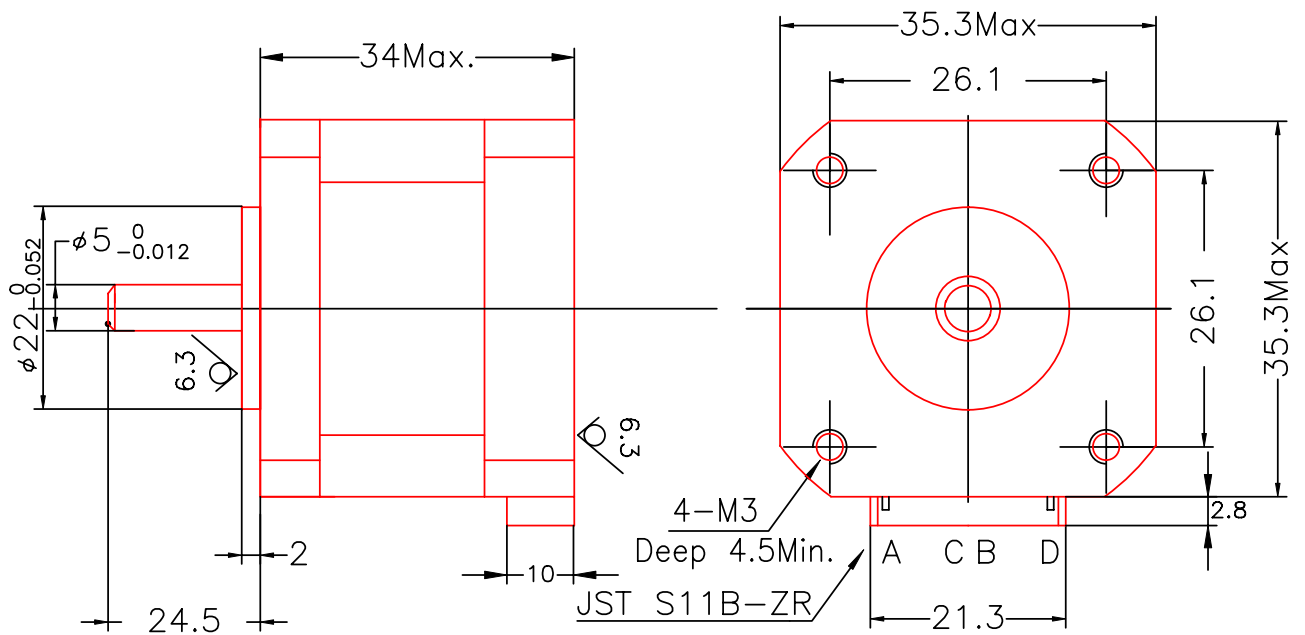


HYBRID STEPPING MOTOR

TYPE 14HY4001

General specifications		Electrical specifications		Wiring Diagram
Step Angle	1.8° ±5%	Supply voltage	4.275V	
Number of phase	2	Current	0.75 A	
Insulation resistance	100Mohm Min.(500V DC)	Inductance per phase	7±20% mH	
Insulation class	Class B	Resistance per phase	5.7±10%ohm	
Rotor inertia	14 g·cm ²	Holding torque	1.1 kg·cm	
Weight	0.18kg	Detent torque	120 g·cm	

Dimensions unit=mm



%% %%

comment:

A						STANDARD
						ARRPOVE
REV.	NO.	MAK.	QTY.	CR.NO.		DESIGN