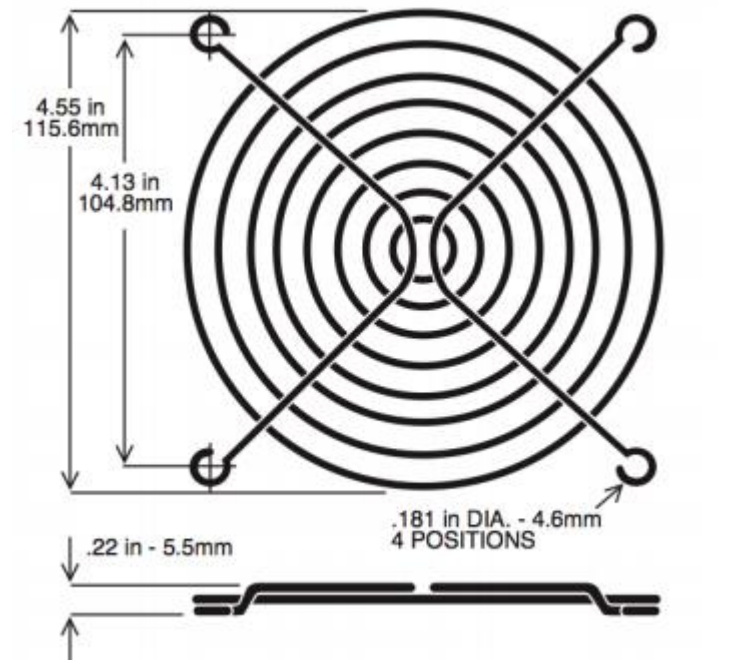
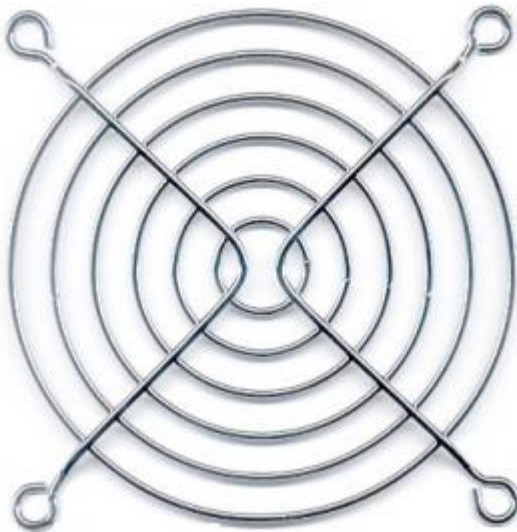


Datasheet

Finger Guard 120mm Steel

RS Stock number 737-3998

Dimensions: (mm)



Specification

G109-15A

WIRE DIAMETER.
RING DIA: 1.8mm
RIB DIA: 1.8mm
FINISH: BRIGHT NICKEL CHROME

PART NO. G109-15A/PK

10-PACK G109-15A GUARDS, BOXED

G109-15AB

WIRE DIAMETER.
RING DIA: 1.8mm
RIB DIA: 1.8mm
FINISH: BLACK

PART NO. G109-15AB/PK

10-PACK G109-15AB GUARDS, BOXED

NOTES:

1. MATERIAL: C1008 BRIGHT BASIC WIRE
2. WELD JOINTS TO WITHSTAND 88LBS PULL FORCE
3. GENERAL TOLERANCE UNLESS NOTED +/- 0.5mm
4. PART MEETS 6.35mm PLUG GAUGE TEST