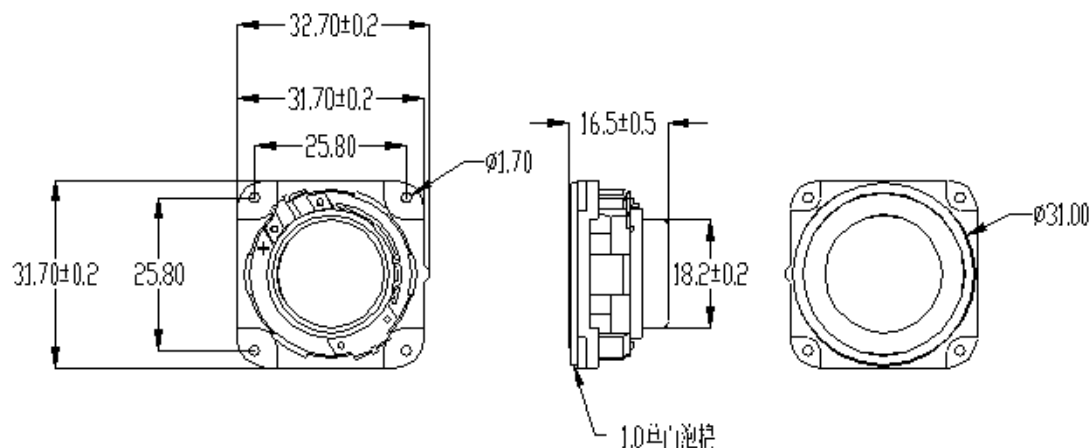


ABS-267-RC H2φ32xH1.5mm 80HM DYNAMIC SPEAKER

SPEAKERS

Specifications	ABS-267-RC
Rated impedance	8±20%Ω
Rated input power	3W
Max. input power	4W
Resonant frequency F ₀	240±20% Hz/2.83V
Frequency range	F200Hz-20,000Hz
Sound pressure level at (AVG 0.6, 0.8, 1.0, 1.2)KHz 1W/0.5m baffleboard IEC	83±3dB
Total harmonic distortion	10%MAX. at 1KHz/0.5m, 1.0W
Baffle opening	φ18.2
Operating temperature	-20~+60°C
Storage temperature	-30~+70°C
Weight	35g

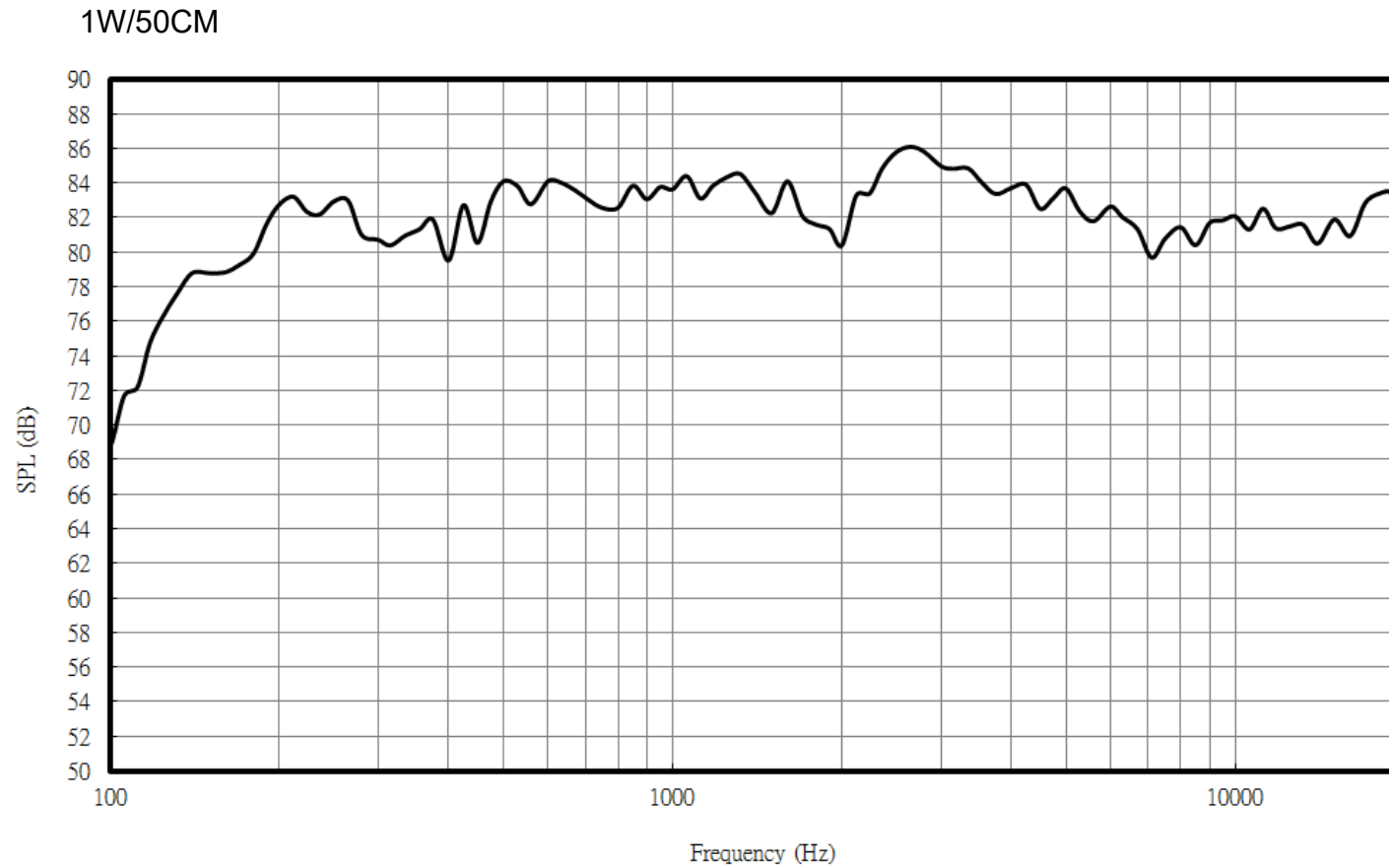


Material

Frame - SPCC
 Terminal - White paper+Fe
 Diaphragm - Foam
 Voice coil - Cu+Kapton

Plate - SPCC
 Magnet - NdFeB
 Cap - AL

ABS-267-RC 32x16.5Hmm 8OHM DYNAMIC SPEAKER - Frequency Response Curve SPEAKERS



Alan Butcher Components

Alan Butcher Components Ltd

Unit 1 Beechwood Clump Farm Industrial Estate Tin Pot Lane Blandford Dorset DT11 7TD

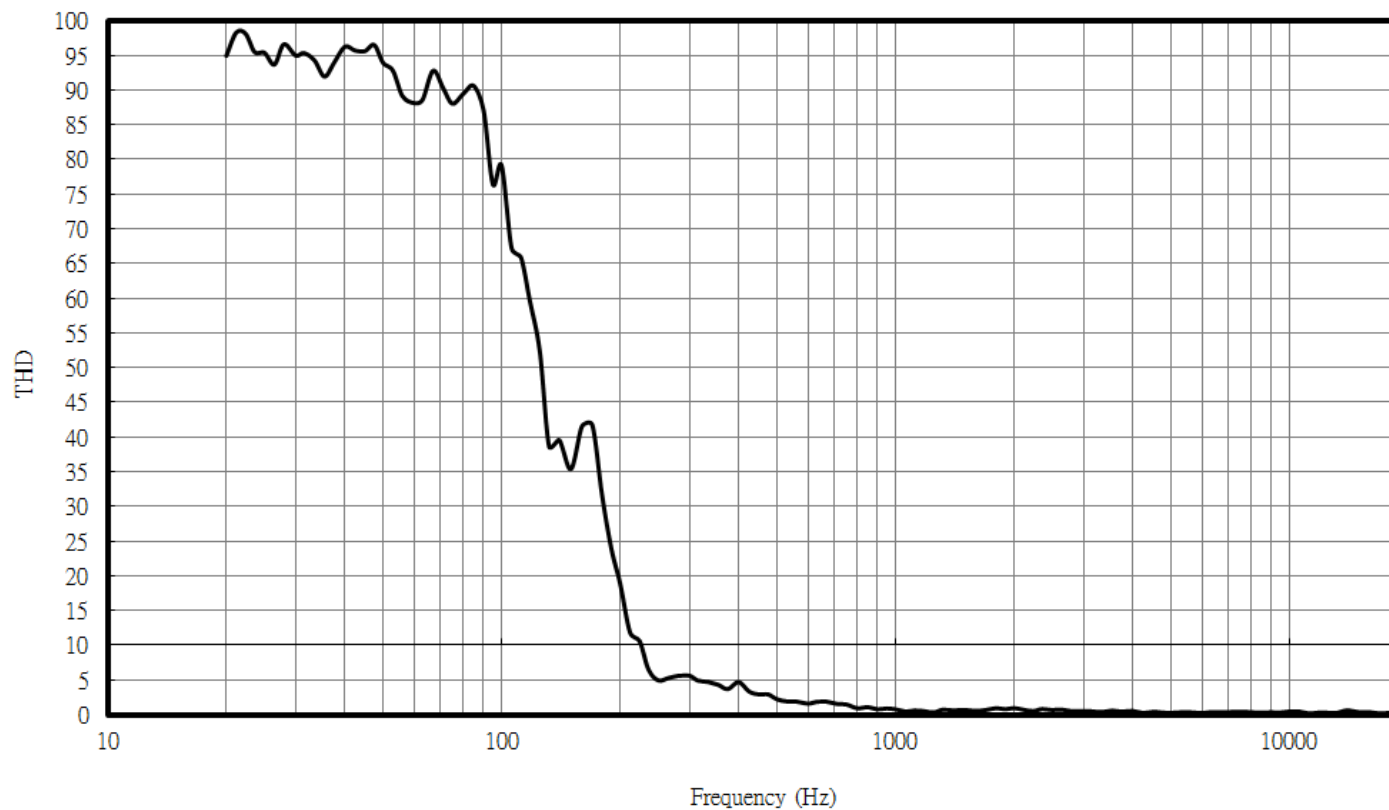
Telephone 01258 456360 Email sales@abcomponents.co.uk

www.abcomponents.co.uk

ABS-267-RC 32x16.5Hmm 8OHM DYNAMIC SPEAKER - THD CURVE

SPEAKERS

1W/50CM



Alan Butcher Components

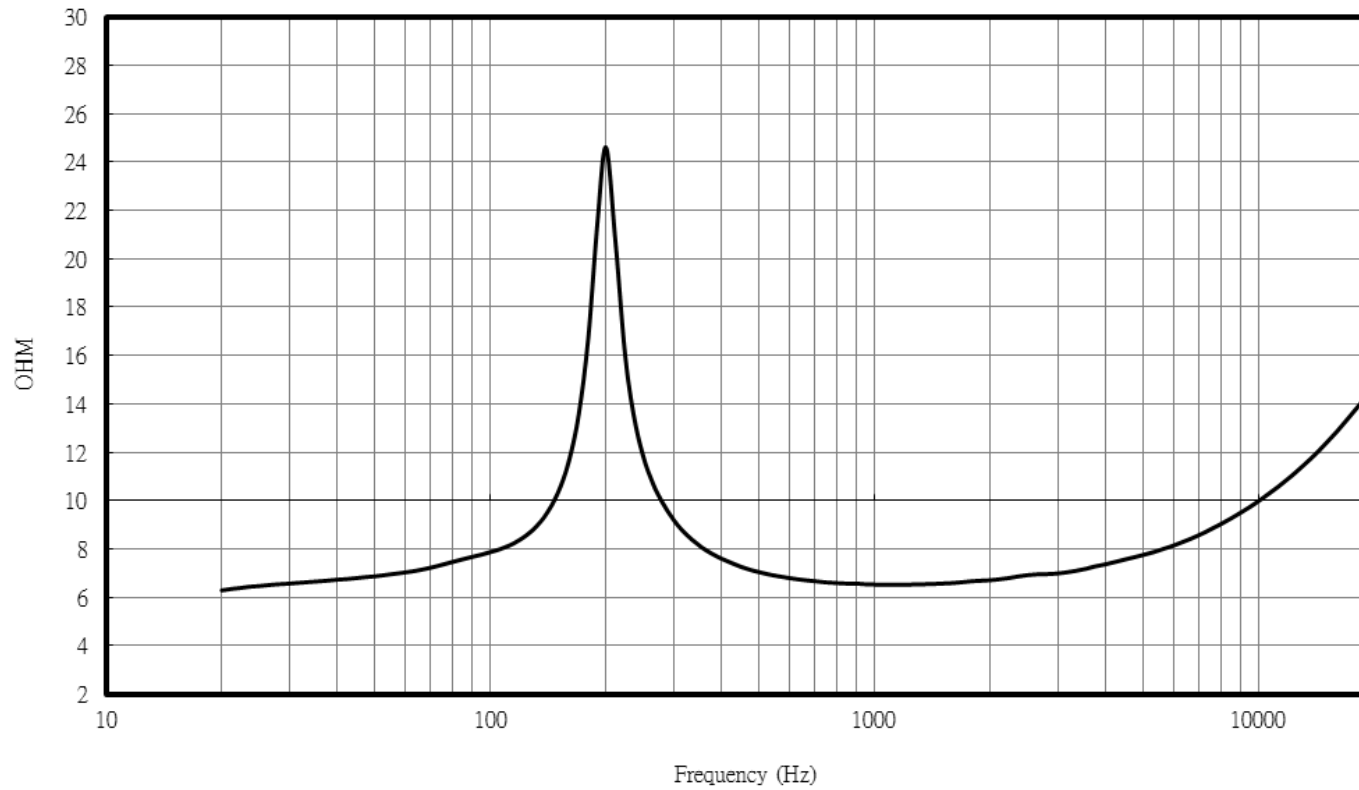
Alan Butcher Components Ltd

Unit 1 Beechwood Clump Farm Industrial Estate Tin Pot Lane Blandford Dorset DT11 7TD

Telephone 01258 456360 Email sales@abcomponents.co.uk

www.abcomponents.co.uk

1W/50CM



Alan Butcher Components

Alan Butcher Components Ltd

Unit 1 Beechwood Clump Farm Industrial Estate Tin Pot Lane Blandford Dorset DT11 7TD

Telephone 01258 456360 Email sales@abcomponents.co.uk

www.abcomponents.co.uk