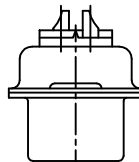
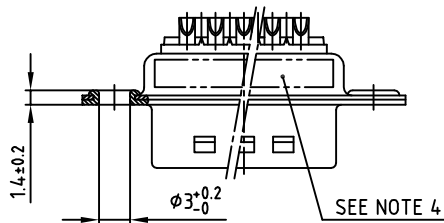
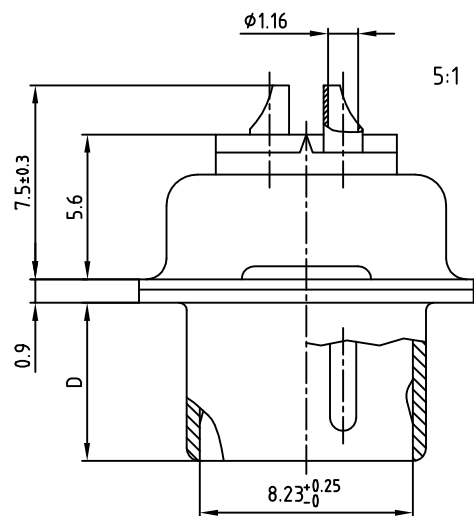
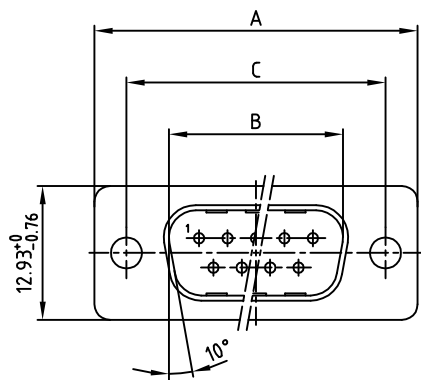


used for: D-SUB



POS.	A -0.76	B +0.25	C	D -0.3	Part No.
9	31.19	16.79	25.00 +0.12/-0.13	6.12	163B11069X
15	39.52	25.12	33.30 +0.15/-0.1	6.12	163B11079X
25	53.42	38.84	47.04 ±0.13	5.99	163B11089X
37	69.70	55.30	63.50 ±0.13	5.99	163B11099X



NOTES:

- METALSHELLS: STEEL; min. 315µin TIN over 40-80µin NICKEL
- INSULATORS: PBT GF UL 94 V-0, BLACK
- CONTACTS: COPPER ALLOY  
PLATING: 20µin HARD GOLD over min. 50µin NICKEL  
SOLDER CUP ACCEPTS CABLE AWG 20
- CONNECTOR IS PART MARKED: PART-NO. CONEC ABC

APPROVAL \* FREIGABE \* DEBLOCAGE \* AUTORIZACION \* APPROVAL

CUSTOMER APPROVAL DATE:

NAME: TITLE:

COMPANY NAME:

APPROVAL \* FREIGABE \* DEBLOCAGE \* AUTORIZACION \* APPROVAL

THIS DRAWING MAY NOT BE COPIED OR REPRODUCED IN ANY WAY, AND MAY NOT BE PASSED ON TO A THIRD PARTY, WITHOUT WRITTEN PERMISSION. OWNERSHIP AND COPYRIGHT OF CONEC GmbH DO NOT ALTER CAD DRAWING BY HAND

rev.	description	date	name	tolerance
2008	date	name		
drawn	19.08.	Sonnenberg		
appd.	19.08.	Mickenbecker		
norm	DIN 41652			
d-old				
a	Origin			

scale: 2:1 (5:1)

material: SEE NOTES

title: D-SUB MALE  
9-37pos. SOLDER CUP

dwg no: AutoCAD 2006 DIN-A  
16K4A660 3 sh:1/1

part no: SEE TABLE

