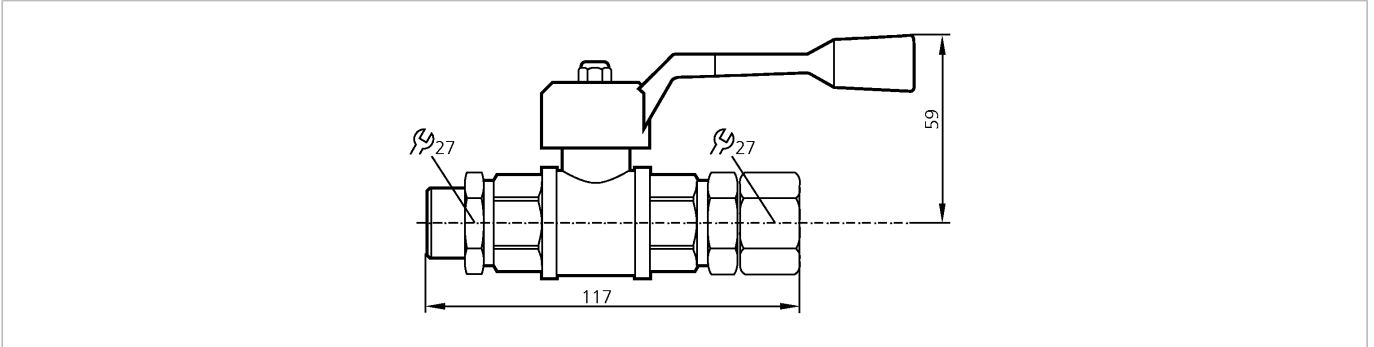




SHUT-OFF VALVES

Accessories



Product characteristics

Regulating valve

M22 x 1.5

Mechanical data

Housing materials

Brass

Weight

[kg]

1.123

Remarks

Pack quantity

[piece]

2