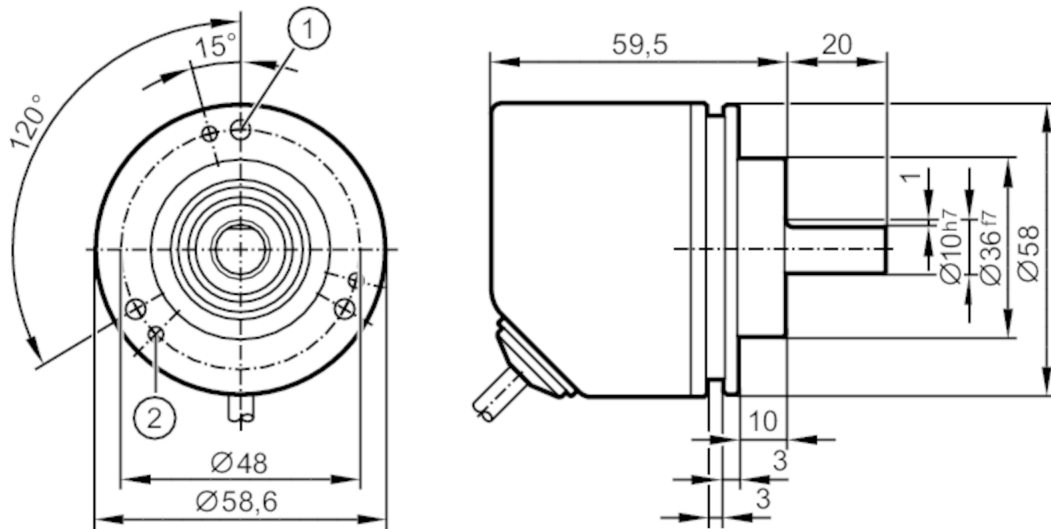


# RV3500



## Incremental encoder with solid shaft

INCREMENTAL ENCODER BASIC LINE



- 1 M4 x 0.7 Depth 6 mm
- 2 M3 x 0.5 Depth 6 mm



### Product characteristics

Resolution	1...10000; (parameterisable; Factory setting: 1024) resolution
Communication interface	IO-Link
Shaft design	solid shaft
Shaft diameter [mm]	10

### Application

Function principle	incremental
Detection system	magnetic

### Electrical data

Operating voltage [V]	4.75...30 DC
Current consumption [mA]	< 150
Protection class	III
Reverse polarity protection	yes
Power-on delay time [s]	0.5
Max. revolution electrical [U/min]	12000

### Outputs

Electrical design	HTL/TTL
Max. current load per output [mA]	50
Switching frequency [kHz]	1000
Factory setting	Output function: HTL (50 mA)
Short-circuit protection	yes
Phase difference A and B [°]	90



## Incremental encoder with solid shaft

INCREMENTAL ENCODER BASIC LINE

Measuring/setting range	
Resolution	1...10000; (parameterisable; Factory setting: 1024) resolution
Accuracy / deviations	
Accuracy	[°] 0.1
Software / programming	
Parameter setting options	Resolution; direction of rotation; HTL; TTL
Interfaces	
Communication interface	IO-Link
Transmission type	COM 2
IO-Link revision	1.1
SIO mode	yes
Min. process cycle time	[ms] 2.3
Operating conditions	
Ambient temperature	[°C] -40...80
Note on ambient temperature	for flexibly laid cable: -25 °C
Storage temperature	[°C] -40...80
Max. relative air humidity	[%] 95; (condensation not permissible)
Protection	IP 65; IP 66; (IP 67: on the housing; IP 64: on the shaft)
Tests / approvals	
Shock resistance	100 g
Vibration resistance	20 g
MTTF	[years] 292
Mechanical data	
Weight	[g] 443
Dimensions	[mm] Ø 58 / L = 79.5
Materials	flange: aluminium; housing: stainless steel (1.4521 / 444); cable plug: PA
Max. revolution, mechanical	[U/min] 12000
Max. starting torque	[Nm] 1
Reference temperature torque	[°C] 20
Shaft design	solid shaft
Shaft diameter	[mm] 10
Shaft material	stainless steel
Max. shaft load axial (at the shaft end)	[N] 40
Max. shaft load radial (at the shaft end)	[N] 60
Fixing flange	clamping flange



## Incremental encoder with solid shaft

INCREMENTAL ENCODER BASIC LINE

### Electrical connection

Cable: 2 m,  $\varnothing$  4.9 mm; radial, can also be used axially; 5 x 0.14 mm<sup>2</sup>

### IO-Link

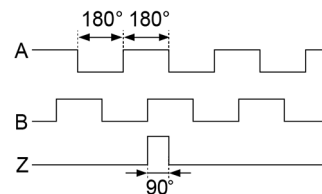
brown	L+
white	not to be used
blue	L-
grey	not to be used
black	IO-Link
Screen	housing

### encoder

brown	UB
white	A
blue	GND
grey	B
black	Z/0-Pulse (90 deg)
Screen	housing

### Diagrams and graphs

Pulse diagram



direction of rotation clockwise (looking at the shaft)