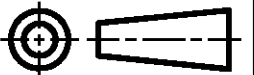


DO NOT SCALE

DIMENSIONS IN mm

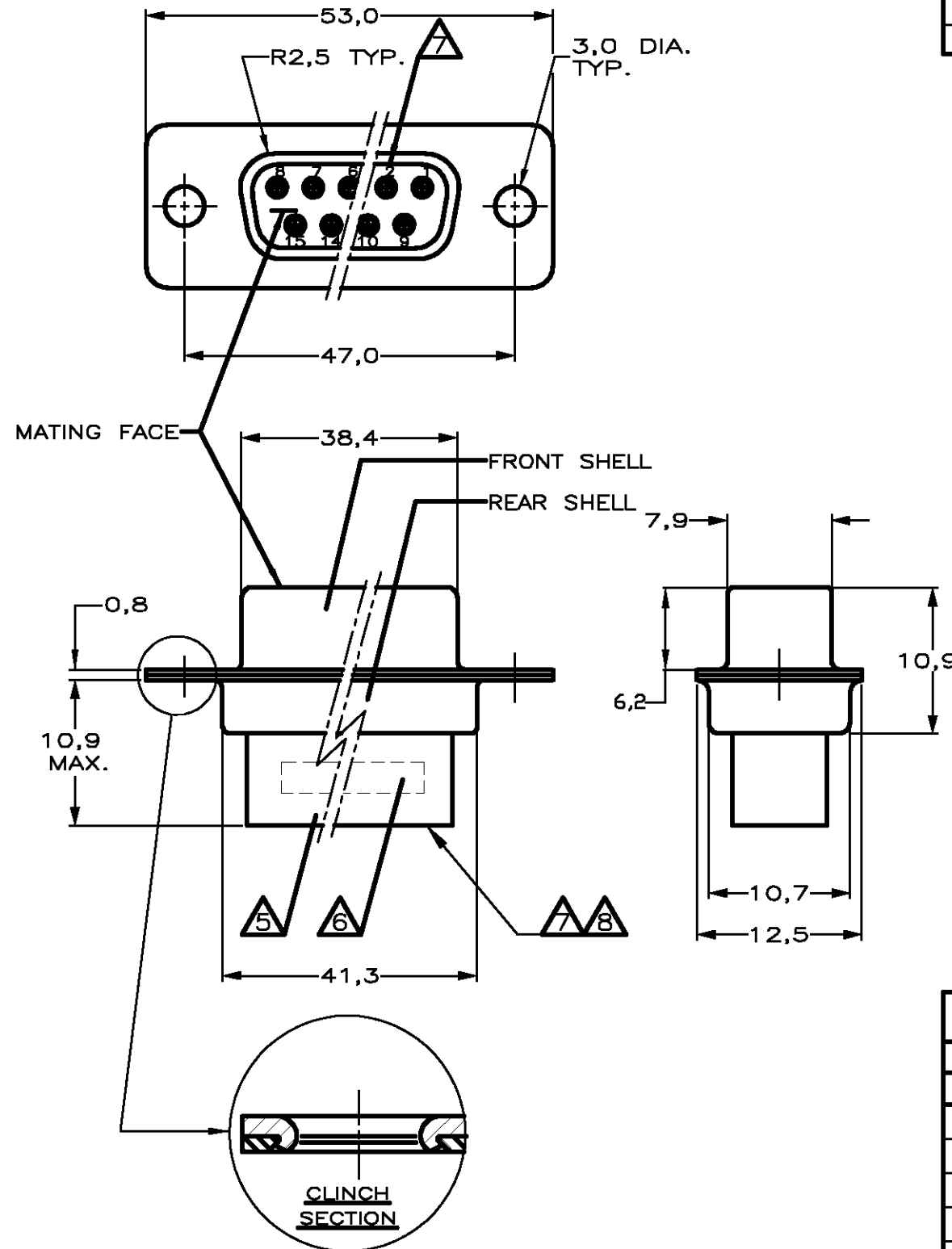
METRIC

THIRD ANGLE  
PROJECTION



NOTES:

- 1 THIS RECEPTACLE ACCEPTS SIZE 20 REC. CONTACTS.
- 2 MAXIMUM WIRE INSULATION RECOMMENDED FOR USE WITH THIS RECEPTACLE IS 1,73 DIA. MAX..
- 3 RETENTION TINES ARE AN INTEGRAL PART OF INSERT.
- 4 FOLLOWING INSERTION/REMOVAL TOOLS ARE RECOMMENDED FOR USE WITH THESE CONNECTORS:  
 32-28AWG/28-24AWG CONTACTS  
 91067-3 INSERTION/REMOVAL  
 726363-1 INSERTION ONLY  
 24-20AWG CONTACTS  
 726363-1 INSERTION ONLY  
 726364-1 REMOVAL ONLY
- 5 INSERTS: GLASSFILLED SELF-EXTINGUISHING PBT, COLOR BLACK.
- 6 AMP DATE CODE, AMP PART NUMBER, INK STAMPED.
- 7 RAISED CAVITY IDENTIFICATION 0,8 HIGH.
- 8 RAISED CAVITY IDENTIFICATION NUMBERS ON WIRE SIDE ARE WHITENED FOR 164533-9.



BRIGHT TIN	BRIGHT TIN	STEEL	164533-9	8
BRIGHT TIN	BRIGHT TIN	STEEL	164533-4	
PLATING FRONT SHELL	PLATING REAR SHELL	MATERIAL SHELLS	PARTNUMBER	
-	-	-	<b>CUSTOMER DRAWING</b> FOR REFERENCE ONLY WILL NOT BE UPDATED	
-	-	-	© COPYRIGHT 19 - BY AMP HOLLAND B.V.	
-	-	-	ALL INTERNATIONAL RIGHTS RESERVED. AMP PRODUCTS MAY BE COVERED BY U.S. AND FOREIGN AND/OR PATENTS PENDING.	
-	-	-	THIS DRAWING IS UNPUBLISHED	
-	-	-	RELEASED FOR PUBLICATION	
K	SR10-0457-02	KV	24 OCT 02	 Tyco Electronics Corporation Oostkamp - BELGIUM
J	SR10-0382-02	KV	23 AUG 02	
H	EH-0314-99	D.K. W.S.	11 FEB 99	
LTR.	REVISION RECORD	DR. CHK. DATE	NAME 25 POS HDP-20 RECEPTACLE CONNECTOR SIZE 3	
DR.: D. KESSLER	CHK.: W. SOOMERS	APP.: W. SOOMERS	DWG.No.	REV.LTR. SHEET
DATE: 11 FEB 99	DATE: -	DATE: -	C-164533	K 1 OF 1