

Type: **M22-L-G**
 Article No.: **216773**



Ordering information

Colour			Green
Design			Flush
Protection type			IP67, IP69K

Colour



Notes concerning the product group

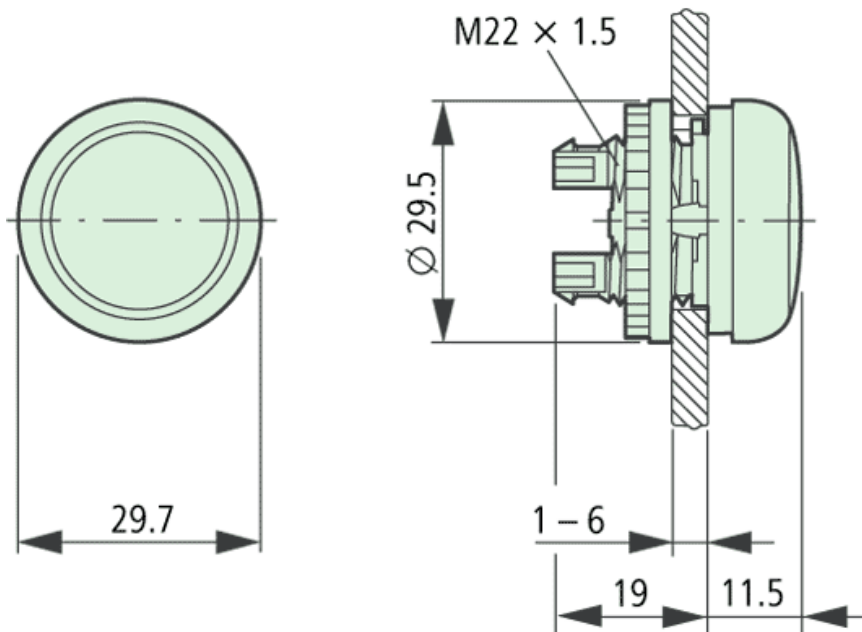
Front ring gold-plated, → 274150

General

Standards			IEC/EN 60947 VDE 0660
Degree of protection, IEC/EN 60529			IP67, IP69K
Climatic proofing			Damp heat, constant, to IEC 60068-2-78 Damp heat, cyclic, to IEC 60068-2-30
Ambient temperature			
Open		°C	-25/70
Mounting position			As required
Mechanical shock resistance according to IEC 60068-2-27 Shock duration 11 ms, half-sinusoidal		g	> 30
Terminal capacities			

Solid		mm ²	0.5 – 1.5
Stranded		mm ²	0.5 – 1.5
Contacts			
Rated impulse withstand voltage	U_{imp}	V AC	4000
Rated insulation voltage	U_i	V	2500
Overvoltage category/pollution degree			III/3
Dimensions			

Dimensions



Moeller GmbH, Hein-Moeller-Str. 7-11, D-53115 Bonn
 E-Mail: catalog@moeller.net, Internet: www.moeller.net, <http://catalog.moeller.net>
 Copyright 2006 by Moeller GmbH. Subject to modifications. HPL-C2006GB-INT V2.3