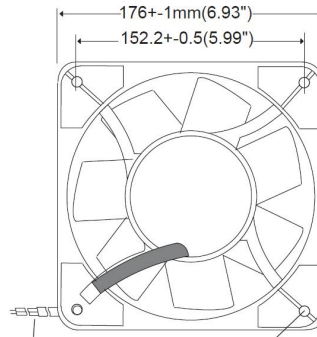


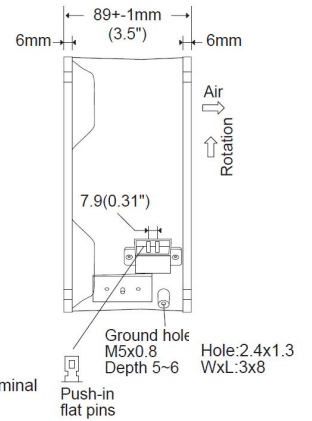
OA180AP-IP68 Series



AC Fan, 115, 230V
176x89mm (7"x3.5")



Lead wires W type
Lead wires AWG#18 290~340mm
Mounting holes 4x2-Ø5.5+0.3(0.22")



Push-in pins Terminal T type

Frame	Die Cast Aluminum, Black
Impeller	Steel, All Metal, 7 Blades
Connection	Lead wires 18AWG or Terminal
Motor	AC, Outer Rotor, Capacitor Induction, 1-Phase, Thermally Protected, IP68
Bearing System	Dual Ball Bearings
Dielectric Strength	1500VAC/min
Insulation Resistance	Over 100MΩ at DC 500V

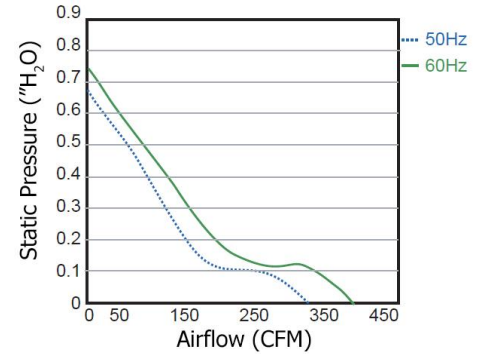
Operating Temperature
-30°C ~ +80°C

Storage Temperature
-40°C ~ +100°C

Life Expectancy
50,000 hours (L10 at 55°C)

Weight: 4.08 lbs

m0



Part Number	Rated Voltage	Input Power	Frequency	Rated Speed (RPM)	Airflow (CFM)	Noise Level (dB)	Max. Static Pressure
OA180AP-11-1*B1868	115 VAC	80 W	60 Hz	3250	380	63	0.76"H ₂ O
OA180AP-22-1*B1868	230 VAC	80 W	60 Hz	3250	380	63	0.76"H ₂ O

*Insert T for Terminal or W for Lead Wires