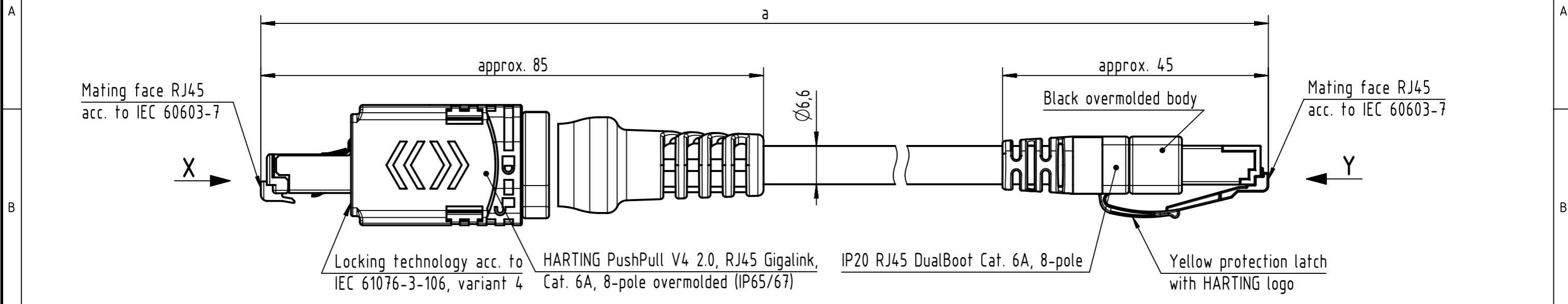
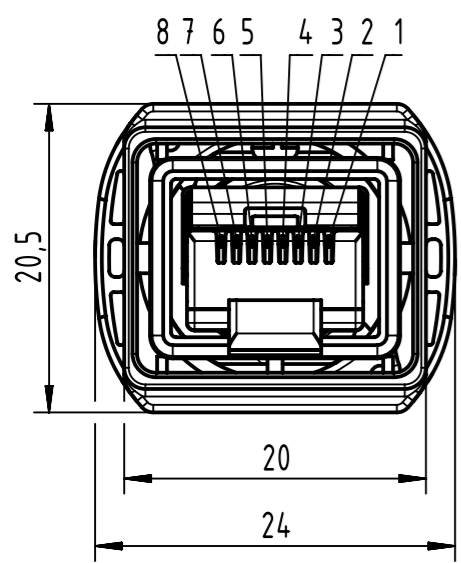


Connector Location A

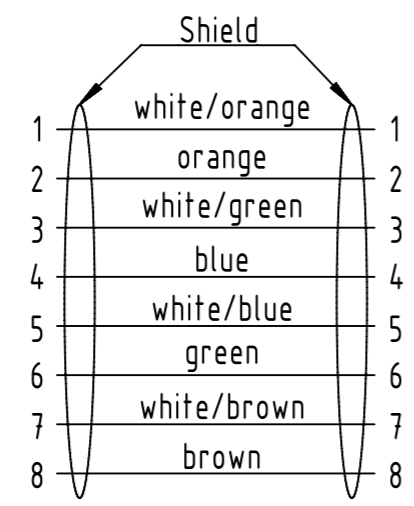
Connector Location B



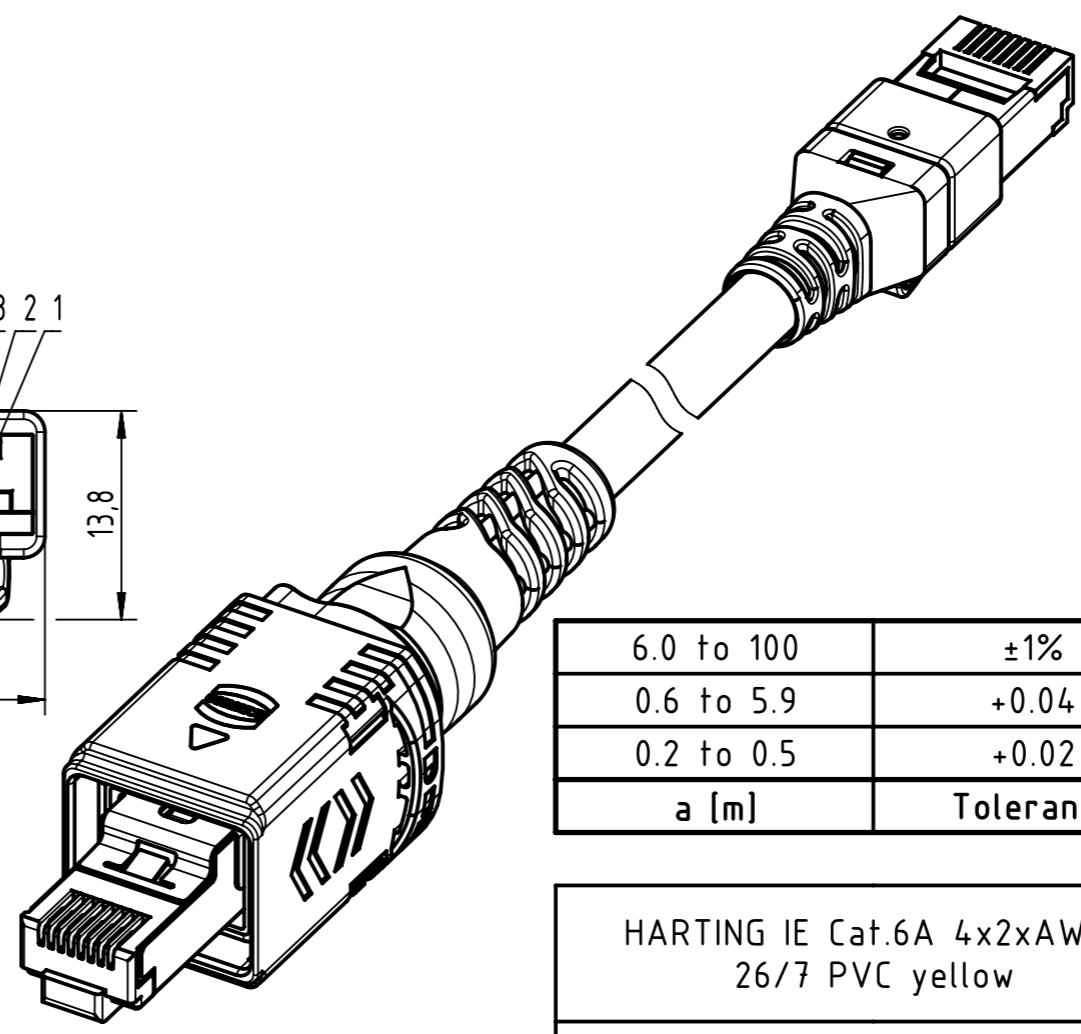
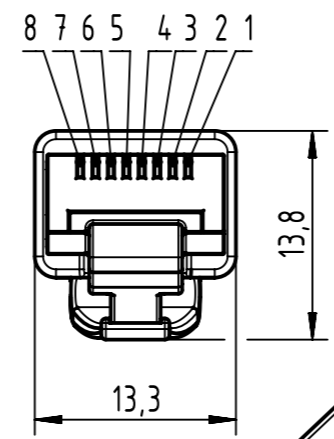
X male



Loading Plan acc. to TIA/EIA 568B



Y male



6.0 to 100	±1%
0.6 to 5.9	+0.04
0.2 to 0.5	+0.02
a [m]	Tolerance

length in "1m" step	100	XXX=000
	99	XXX=990
	12	XXX=120
	11	XXX=110
length in "0.1m" step	10	XXX=100
	9.9	XXX=099
	9.8	XXX=098
	0.5	XXX=005
	0.4	XXX=004
	0.3	XXX=003
	0.2	XXX=002
Step	a [m]	XXX

HARTING IE Cat.6A 4x2xAWG
26/7 PVC yellow

Type of cable

09482847757XXX

Part no.

Temperature range:
- Fixed installation: -20°C ... +80°C
- Dynamic installation: -20°C ... +80°C

NOTE:
* For lengths < 1.0m:
- relative positioning of the connectors to each other will be as presented in the drawing, however with an admissible angular deviation around cable axis of ± 30°
* For lengths ≥ 1.0m:
- relative positioning of the connectors to each other not obligatory
* Cat.6A 10 Gbit/s Ethernet transmission possible for lengths up to 45m

	All rights reserved	Created by 405181 Hadar	Inspected by 402676 Gross	Standardisation COSTEA Costea	Date 2021-11-12	State Final Release
	Department HCS - RO	Title PPV4 2.0 RJ45 - RJ45 IP20 Cat6A PVC		Doc-Key / ECM-Nr. 100696539/UGD/001/F 500000205993		
HARTING Customised Solutions D-32339 Espelkamp		Type TB	Number 09482847757XXX		Rev. F	Page 1/1