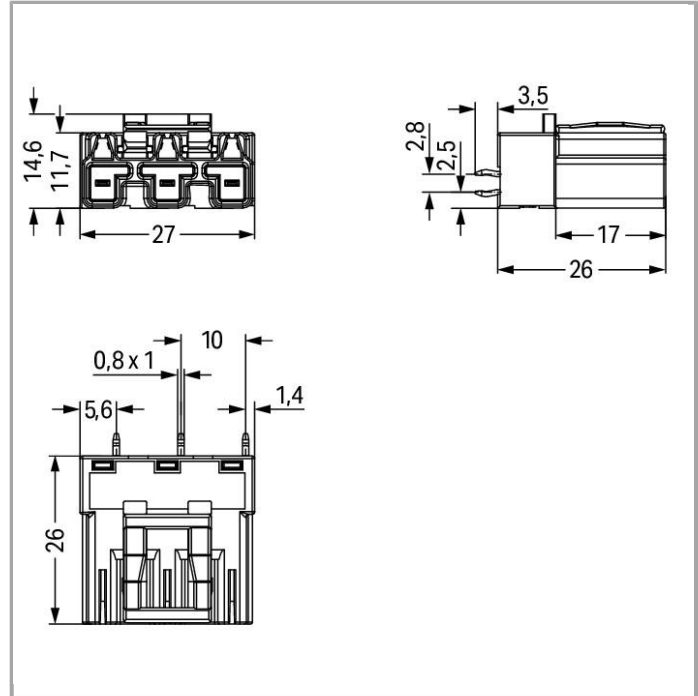
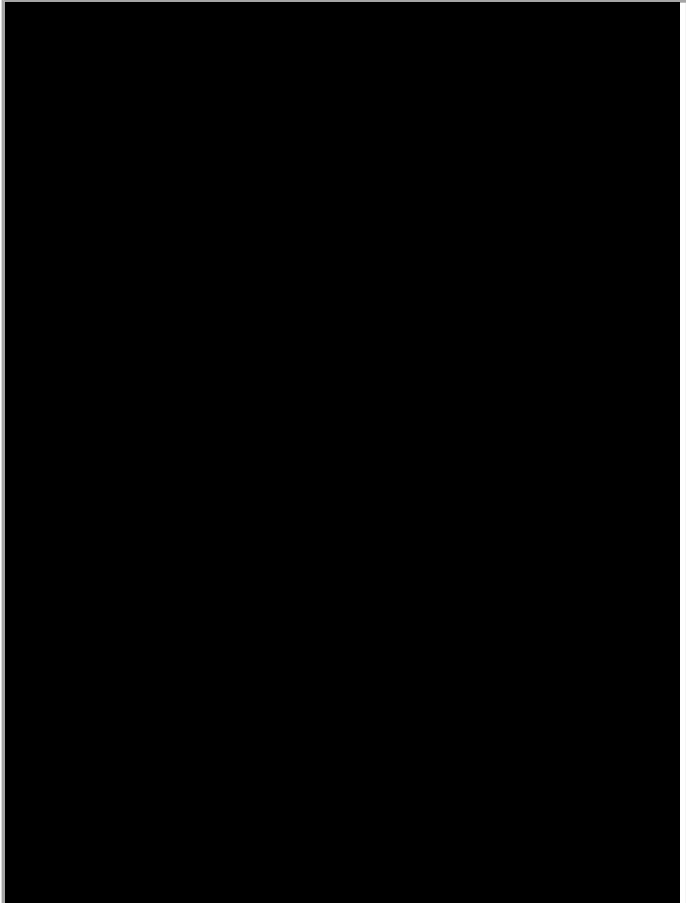


Data sheet | Item number: 770-813  
Plug for PCBs; straight; 3-pole; Cod. A

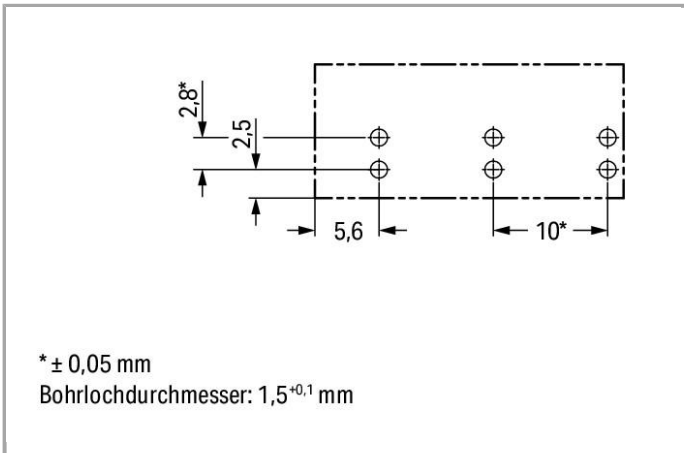
[www.wago.com/770-813](http://www.wago.com/770-813)



RoHS  Compliant

[BOMcheck.net](https://www.bomcheck.net)

Color:



## Item description

### Note:

All connectors for mounted installations (snap-in versions for lighting fixtures or devices, all types of PCB and distribution connectors) are factory-equipped with locking levers to ensure plugs and sockets are securely locked. Additional locking levers are only required for flying leads (plug /socket).

## Data

### Electrical data

#### Ratings per IEC/EN 60664-1

Rated voltage (III / 3)	250 V
Rated impulse voltage (III / 3)	4 kV
Rated current	25 A
Legend (ratings)	(III / 3) ≙ Overvoltage category III / Pollution degree 3

### Connection data

No. of poles	3
Total number of potentials	3
Number of levels	1
Ground function	with preceding GND contact

### Geometrical Data

Pin spacing	10 mm (0.394 inch)
Width	27 mm / 1.063 inch
Height	29.5 mm / 1.161 inch
Height from the surface	26 mm / 1.024 inch
Depth	14.6 mm / 0.575 inch
Solder pin length	3.5 mm



Solder pin dimensions	1 x 0.8 mm
Drilled hole diameter (tolerance)	1.5 <sup>(+ 0.1 ... - 0.1)</sup> mm

### Mechanical data

Coding	A
Mating force of a plug-in connection	approx. 20 ... 70 N (depending on pole number)
Retention force of a plug-in connection	when locked: > 80N
Unmating force of a plug-in connection	when unlocked: approx. 20 ... 70 N (depending on pole number)
Design	straight
Marking	L N
Degree of protection	IP20
Potential marking	L N

### Plug connection

Contact type (pluggable connector)	Male connector/plug
Connector connection type	for PCBs
Mismating protection	Yes
Mating direction to the PCB	90°
Locking of plug-in connection	locking lever
Locking lever	yes

### PCB contact

PCB contact	THT
Solder pin arrangement	2 in-line solder pins/pole
Number of solder pins per potential	2

### Material Data

Color	black
Insulating material	Polyamide 66 (PA 66)
Flammability class per UL94	V0
Contact material	Copper or copper alloy, surface-treated
Fire load	0.146 MJ
Weight	6.702 g

### Environmental Requirements

Surrounding air (operating) temperature	-35 ... 85 °C
---	---------------


### Commercial data

Country of origin	DE
-------------------	----




GTIN	4044918511445
Customs Tariff No.	85366990990

## Approvals / Certificates

### Country specific Approvals

Logo	Approval	Certificate name
	CCA DEKRA Certification B.V.	NL-32105
	CCA DEKRA Certification B.V.	2173495.02

### Ship Approvals

Logo	Approval	Certificate name
	ABS American Bureau of Shipping	14-HG1241528-PDA
	DNV GL Det Norske Veritas, Germanischer Lloyd	TAE00001Z6
	LR Lloyds Register	02/20050 (E6)

### UL-Approvals

Logo	Approval	Certificate name
	cURus Underwriters Laboratories Inc.	E45171 Sec. 9

## Compatible products

### Coding

	Item no.: 770-401 Coding pin; for plugs	<a href="http://www.wago.com/770-401">www.wago.com/770-401</a>
--	--	--

### protection

	Item no.: 770-360 Lockout cap; for plugs; 5-pole; separable	<a href="http://www.wago.com/770-360">www.wago.com/770-360</a>
--	--	--



Downloads

smartDATA

CAD data

3D Download 770-813

URL

Download

---

Subject to changes.

---

WAGO Kontakttechnik GmbH & Co. KG

Hansastr. 27

32423 Minden

Phone: +49571 887-0 | Fax: +49571 887-169

Email: [info.de@wago.com](mailto:info.de@wago.com) | Web: [www.wago.com](http://www.wago.com)

Do you have any questions about our products?

We are always happy to take your call at +49 (571) 887-44222.