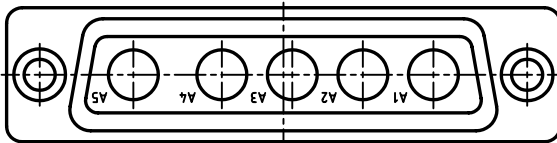
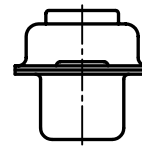
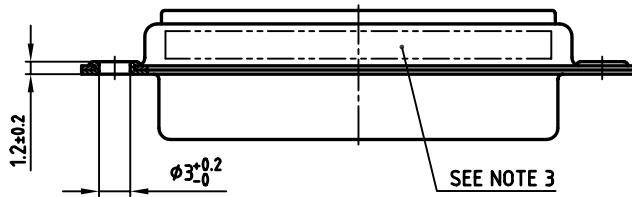
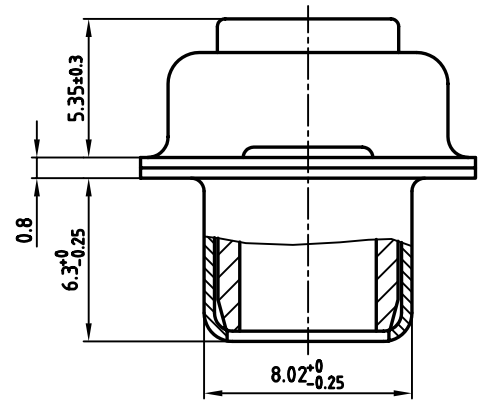
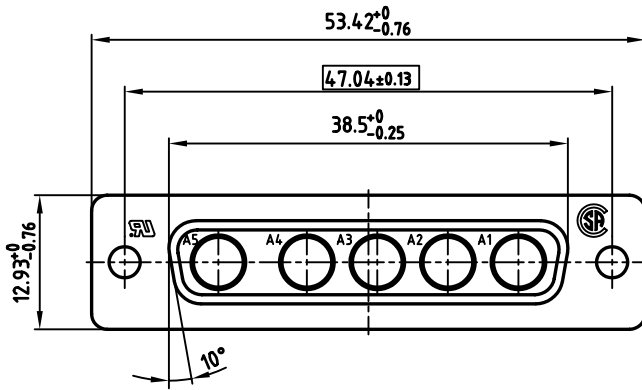


used for: D-SUB COMBINATION

5:1



NOTES:

1. METALSHELLS: STEEL; TIN PLATED
2. INSULATOR: PBT GF, UL 94 V-0; GREEN
3. CONNECTOR IS PART MARKED: PART NO: CONEC Y/WW
4. = CRITICAL DIMENSION

Directive 2002/95/EC
RoHS
Compliant

THIS DRAWING MAY NOT BE COPIED OR REPRODUCED IN ANY WAY, AND MAY NOT BE PASSED ON TO A THIRD PARTY, WITHOUT WRITTEN PERMISSION. OWNERSHIP AND COPYRIGHT OF CONEC GMBH DO NOT ALTER CAD DRAWING BY HAND

rev.	description	date	name

tolerance			scale: 2:1 (5:1)
material:			SEE NOTES
1998	date	name	D-SUB COMBINATION FEMALE 5W5S WITHOUT CONTACTS
drawn	09.11.	Barcinski	
appd.	09.11.	Mickenbecker	
norm			
d-old			dwg no: AutoCAD/REL.13 DIN-A
			13K1IK5A sh: 1/1
part no: 3005W5SXX99A10X			3

dwg no:	AutoCAD/REL.13	DIN-A
13K1IK5A		3
part no: 3005W5SXX99A10X		sh: 1/1