

5223985-1 ✓ ACTIVE

Z-PACK 2mm HM

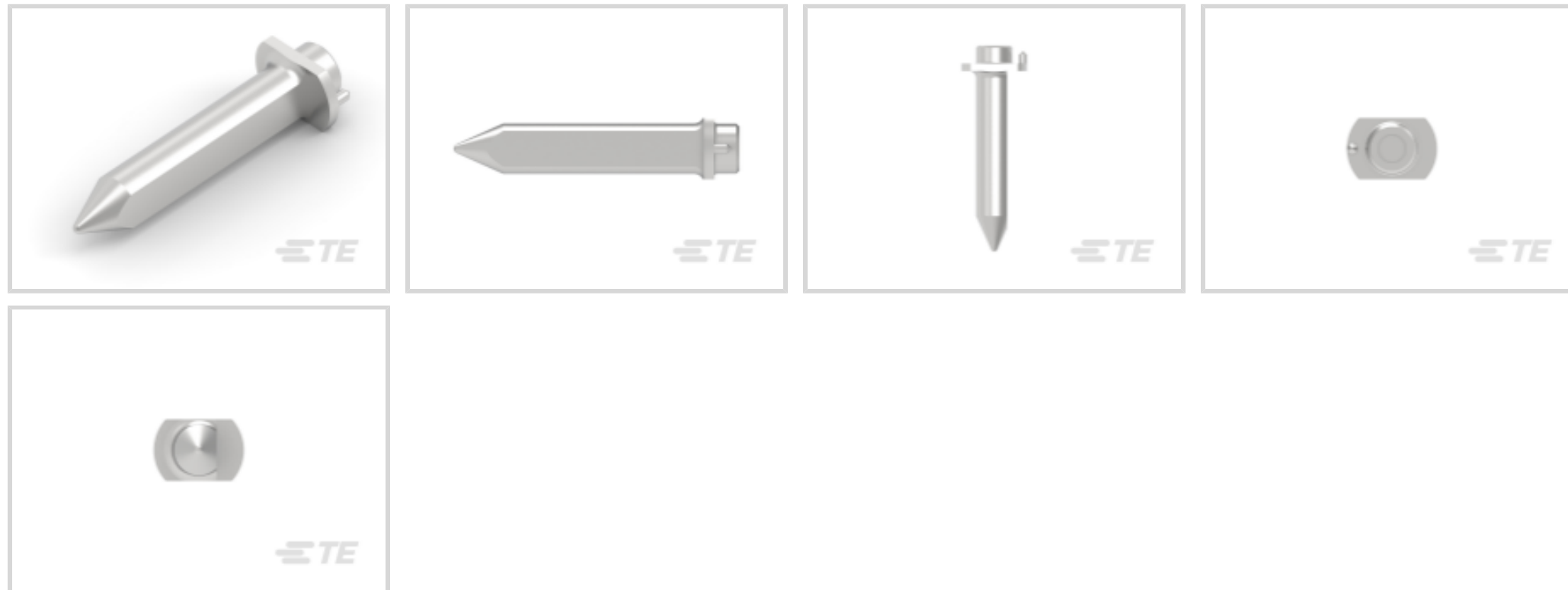
TE Internal #: 5223985-1

Z-PACK 2mm HM, Backplane Guide Hardware, Guide Pin

[View on TE.com >](#)



Connectors > PCB Connectors > Backplane Connectors > Backplane Guide Hardware



Backplane Guide Hardware Type: **Guide Pin**

Features

Product Type Features

| | |
|-------------------------------|-----------|
| Backplane Guide Hardware Type | Guide Pin |
|-------------------------------|-----------|

Configuration Features

| | |
|-----------------------|----------|
| PCB Mount Orientation | Vertical |
|-----------------------|----------|

Body Features

| | |
|---|-----------------------------|
| Guide Component Plating Material Finish Process | Chromate Conversion Coating |
|---|-----------------------------|

| | |
|-------------------------------|------------------------|
| Guide Component Base Material | Zinc Alloy Die Casting |
|-------------------------------|------------------------|

Contact Features

| | |
|--------------------------------------|------------|
| Contact Mating Area Plating Material | Zinc Alloy |
|--------------------------------------|------------|

Termination Features

| | |
|--|--------|
| Compatible With Backplane Interface Type | 2mm HM |
|--|--------|

Mechanical Attachment

| | |
|----------------|------|
| Guide Hardware | With |
|----------------|------|

Dimensions

| | |
|---------------|----------------|
| Thread Length | 6 mm [.236 in] |
|---------------|----------------|

Packaging Features

| | |
|------------------|-----|
| Packaging Method | Box |
|------------------|-----|

Other



| | |
|---------|-------------------------------|
| Comment | Overall length: 31.48 [1.24]. |
|---------|-------------------------------|

Product Compliance

[For compliance documentation, visit the product page on TE.com>](#)

| | |
|---|---|
| EU RoHS Directive 2011/65/EU | Compliant |
| EU ELV Directive 2000/53/EC | Compliant |
| China RoHS 2 Directive MIIT Order No 32, 2016 | No Restricted Materials Above Threshold |
| EU REACH Regulation (EC) No. 1907/2006 | Current ECHA Candidate List: JAN 2021 (211) Candidate List Declared Against: JAN 2021 (211) Does not contain REACH SVHC |
| Halogen Content | Low Halogen - Br, Cl, F, I < 900 ppm per homogenous material. Also BFR/CFR/PVC Free |
| Solder Process Capability | Not applicable for solder process capability |

Product Compliance Disclaimer

This information is provided based on reasonable inquiry of our suppliers and represents our current actual knowledge based on the information they provided. This information is subject to change. The part numbers that TE has identified as EU RoHS compliant have a maximum concentration of 0.1% by weight in homogenous materials for lead, hexavalent chromium, mercury, PBB, PBDE, DBP, BBP, DEHP, DIBP, and 0.01% for cadmium, or qualify for an exemption to these limits as defined in the Annexes of Directive 2011/65/EU (RoHS2). Finished electrical and electronic equipment products will be CE marked as required by Directive 2011/65/EU. Components may not be CE marked. Additionally, the part numbers that TE has identified as EU ELV compliant have a maximum concentration of 0.1% by weight in homogenous materials for lead, hexavalent chromium, and mercury, and 0.01% for cadmium, or qualify for an exemption to these limits as defined in the Annexes of Directive 2000/53/EC (ELV). Regarding the REACH Regulation, the information TE provides on SVHC in articles for this part number is based on the latest European Chemicals Agency (ECHA) 'Guidance on requirements for substances in articles' posted at this URL: <https://echa.europa.eu/guidance-documents/guidance-on-reach>

Compatible Parts

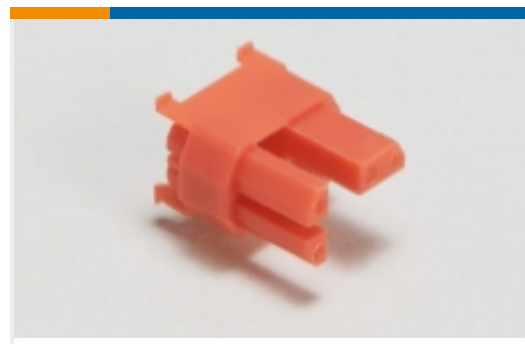


TE Part # 5223957-3
UPM GUIDE MODULE

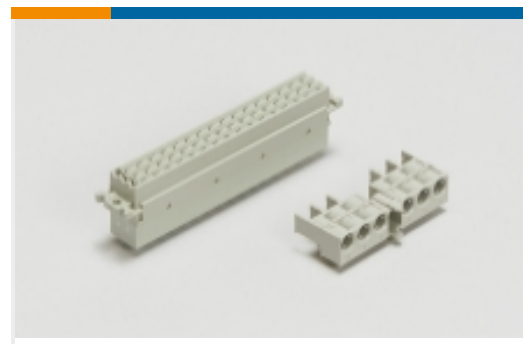


TE Part # 2187809-1
SW PIR HDR BP, 92OHM, 6X6 OE GR

Also in the Series | **Z-PACK 2mm HM**



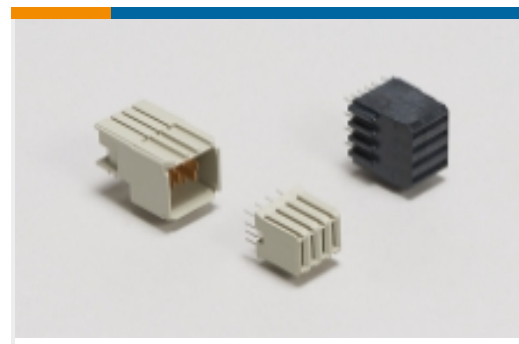
Backplane Coding Keys(60)



Backplane Connector Housings(4)



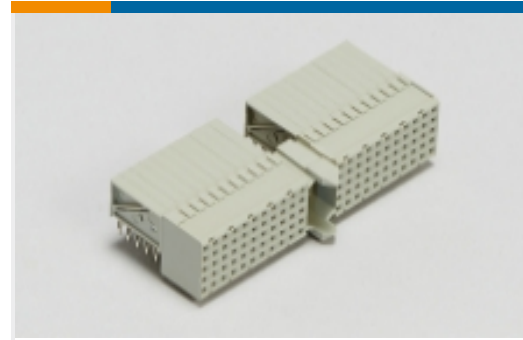
Backplane Guide Hardware(37)



Backplane Power Connectors(7)



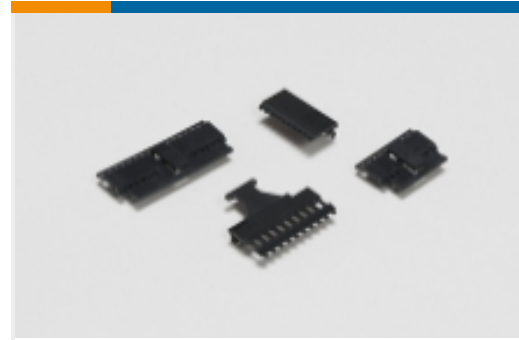
Board-to-Board Connector Contacts(5)



Hard Metric Backplane Connectors (272)



Insertion & Extraction Tools(2)



PCB Connector Covers(4)



PCB Connector Shrouds(39)



PCB Ferrules & Shields(19)

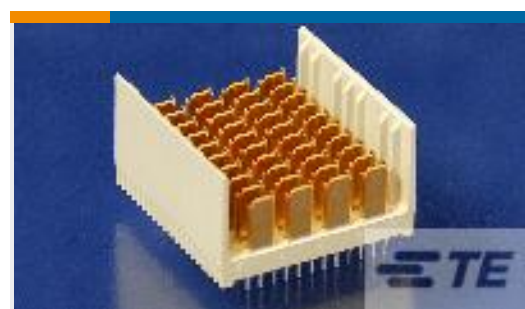


PCB Latches, Locks & Retainers(1)



Rectangular Power Connectors(87)

Customers Also Bought



TE Part #1469002-1
HM-ZD 4PR HDR 80P 5.2MM



TE Part #120953-6
UPM EXPANDED RCPT ASSEMBLY



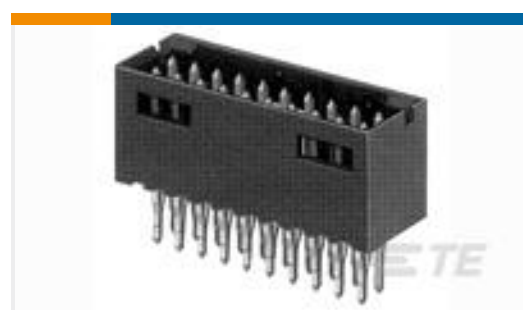
TE Part #1-292215-3
MINI CT SGL RELAY 13P NAT



TE Part #1-292215-7
MINI CT SGL RELAY 17P NAT



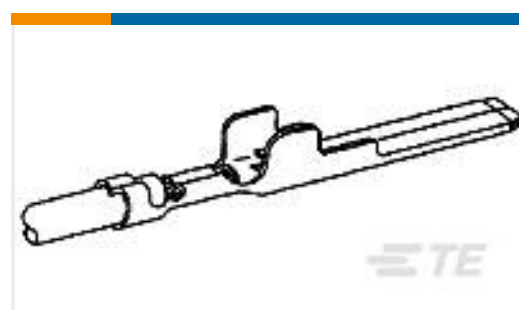
TE Part #2-173983-3
AMP CT MT AMP-IN HDR-H YEL 3P



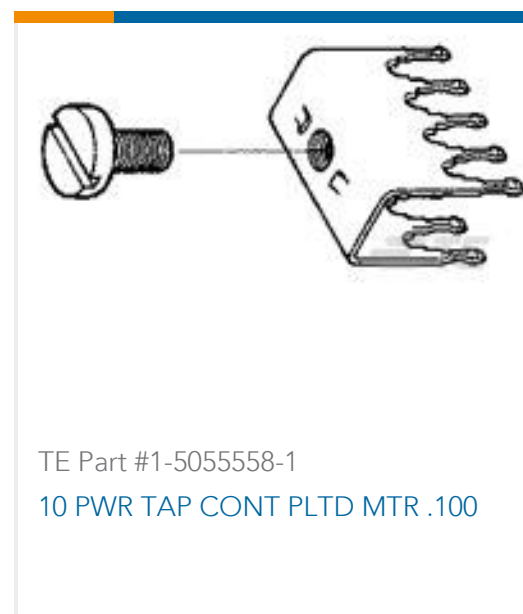
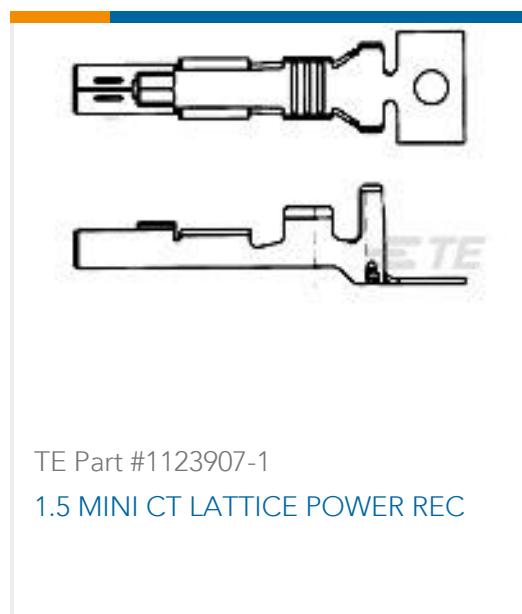
TE Part #102699-6
14 MODII HDR DRST SHRD A/PIN



TE Part #8-102898-4
02 MODII HDR SRST UNSHRD A/PIN



TE Part #1-179321-2
HYBRID MINI DRWER TAB CONT.



Documents

Product Drawings

[UPM KEYED GUIDE PIN](#)

English

CAD Files

[3D PDF](#)

3D

Customer View Model

[ENG_CVM_CVM_5223985-1_B.2d_dxf.zip](#)

English

Customer View Model

[ENG_CVM_CVM_5223985-1_B.3d_igs.zip](#)

English

Customer View Model

[ENG_CVM_CVM_5223985-1_B.3d_stp.zip](#)

English

By downloading the CAD file I accept and agree to the [Terms and Conditions](#) of use.

Datasheets & Catalog Pages

[POWER_CONNECTORS_CATALOG_SEC01_BOARD_TO_BOARD](#)

English

[2_PIECE_POWER_CONNECTORS_qrg_4-1773458-1](#)

English

Product Specifications

[Engineering Report](#)

English

Product Environmental Compliance

[TE Material Declaration](#)

English