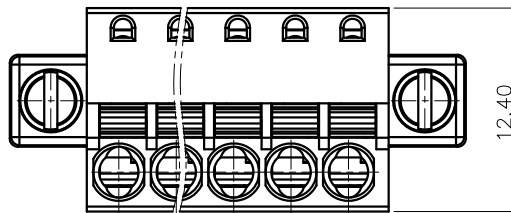


REVISION RECORD

REV	ECN	DESCRIPTION	DRFT	DATE
-----	-----	-------------	------	------



NOTES1:

UL Standard

- 1.Rated Voltage/Current : 300V / 8A
- 2.Withstanding Voltage : AC1600V/1Min.
- 3.Wire Range : 28~16AWG

IEC Standard

1. Pollution Degree	3
Overtoltage Category	II
Rate Impulse Voltage(KV)	2.5KV
Rate Voltage(V)	250V
Rate Current(A)	12A

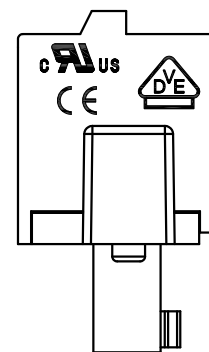
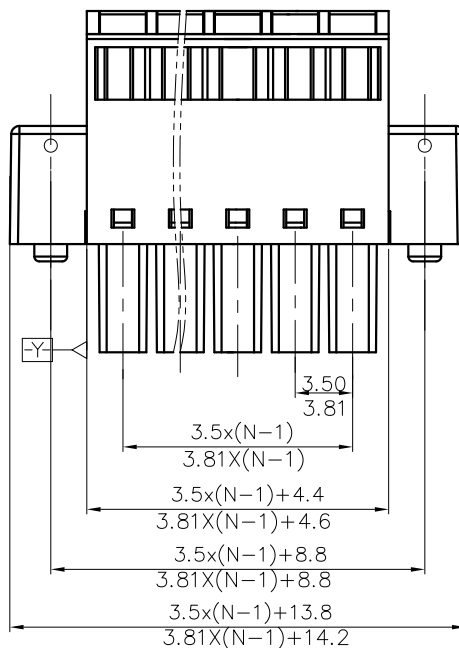
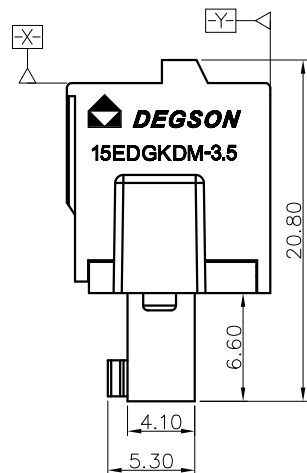
2.Wire Range : 0.2~1.5mm²

NOTES2:

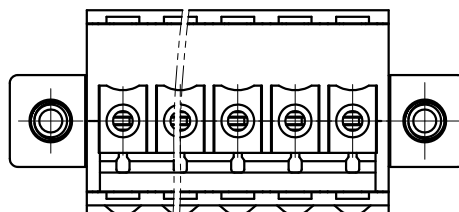
- 1.Dimension shall be interpreted per ASME Y14.5-2009
- 2.Pitch : 3.50/3.81mm, Poles : N=2-20P
- 3.Stripping length : 9mm
- 4.Operating temperature: -40°C~+105°C
- 5.Undimensioned Tolerances:

Pitch range in mm		Nominal dimension range in mm				-	-	∇	
TO	Over	TO	Over	TO	Over	TO	Over		
6	6 TO 10	10	10 TO 24	30	30 TO 60	60	60 TO 100	100	150
	±0.15	±0.20	±0.30	±0.30	±0.50	±0.70	±1.00	±1.30	±2'

6.RoHS Compliance



15EDGKDM - 3.5/3.81 - XXP - 1Y - 00A (H)
 (Series No.) (Pitch) (Poles) (Single Pitch) (Color):1.(Grey)
 2.(Blue)
 3.(Black)
 4.(Green)
 5.(Orange)
 6.(Red)
 7.(Transparent)
 8.(Yellow)
 9.(White)



DETACHED LISTS	PART NO.:	/			
	APPD:	/			
	CHKD:	/			
	DRFT:	/			
		<p>THIRD ANGLE PROJECTION</p>		<p>DO NOT SCALE DRAWING</p>	
		DRAWING NO.:		/	
		MM (INCH)		SCALE 1:1	
		TITLE: CUSTOMER DRAWING		REV	DO
		NAME: 15EDGKDM-3.5/3.81-XXP-1Y-00A(H)		SHEET	1/1
		NINGBO DEGSON ELECTRICAL CO., LTD			