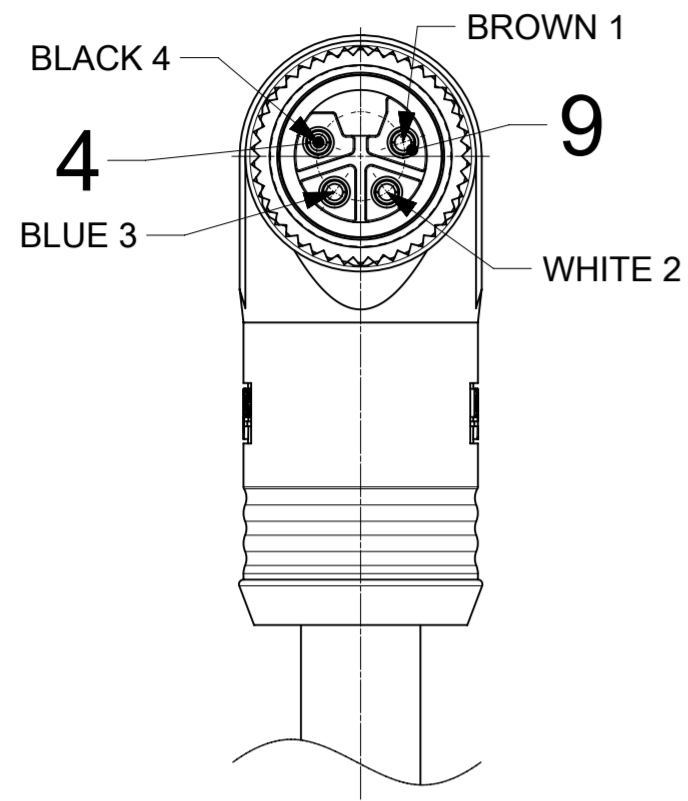
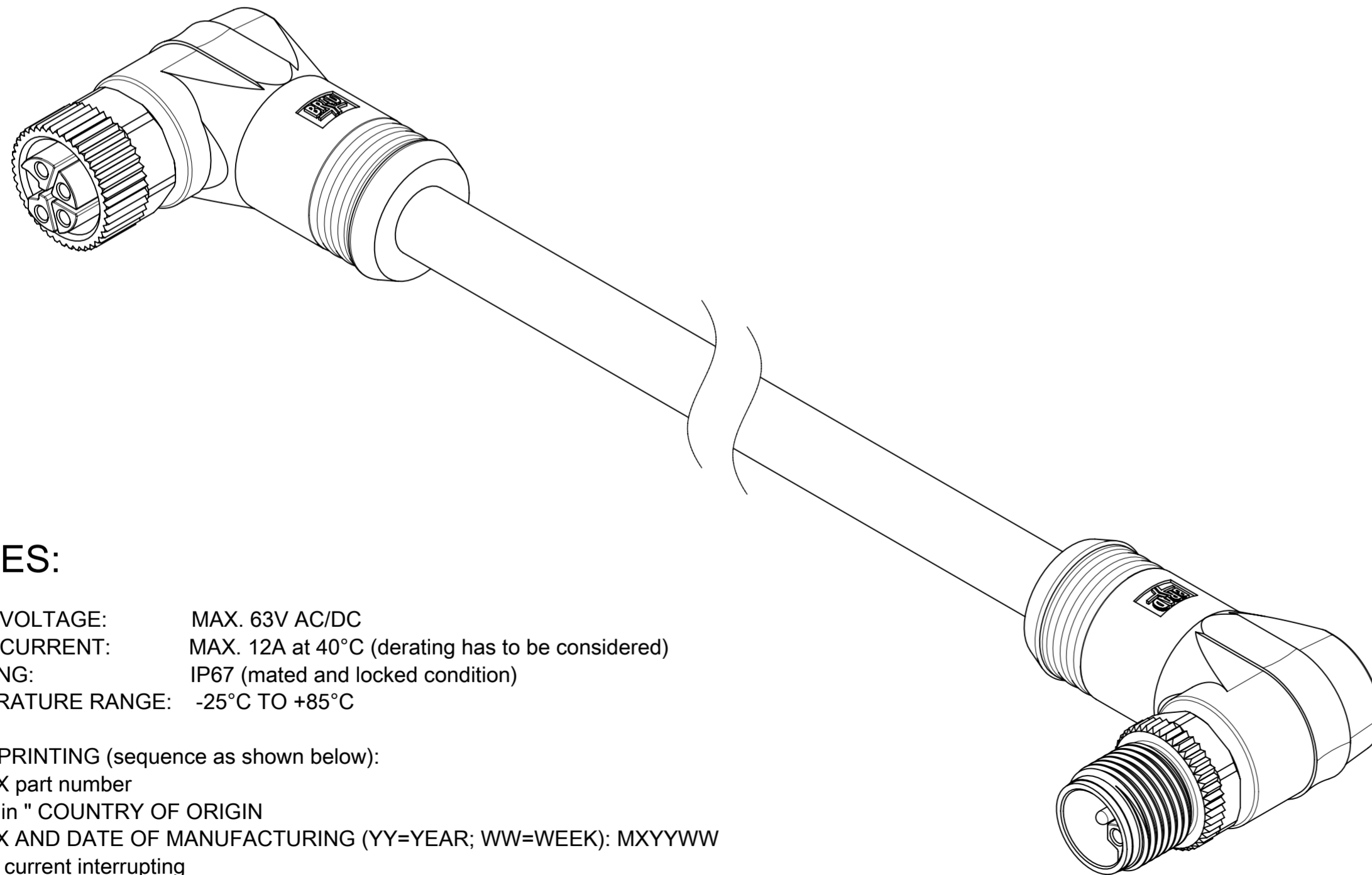
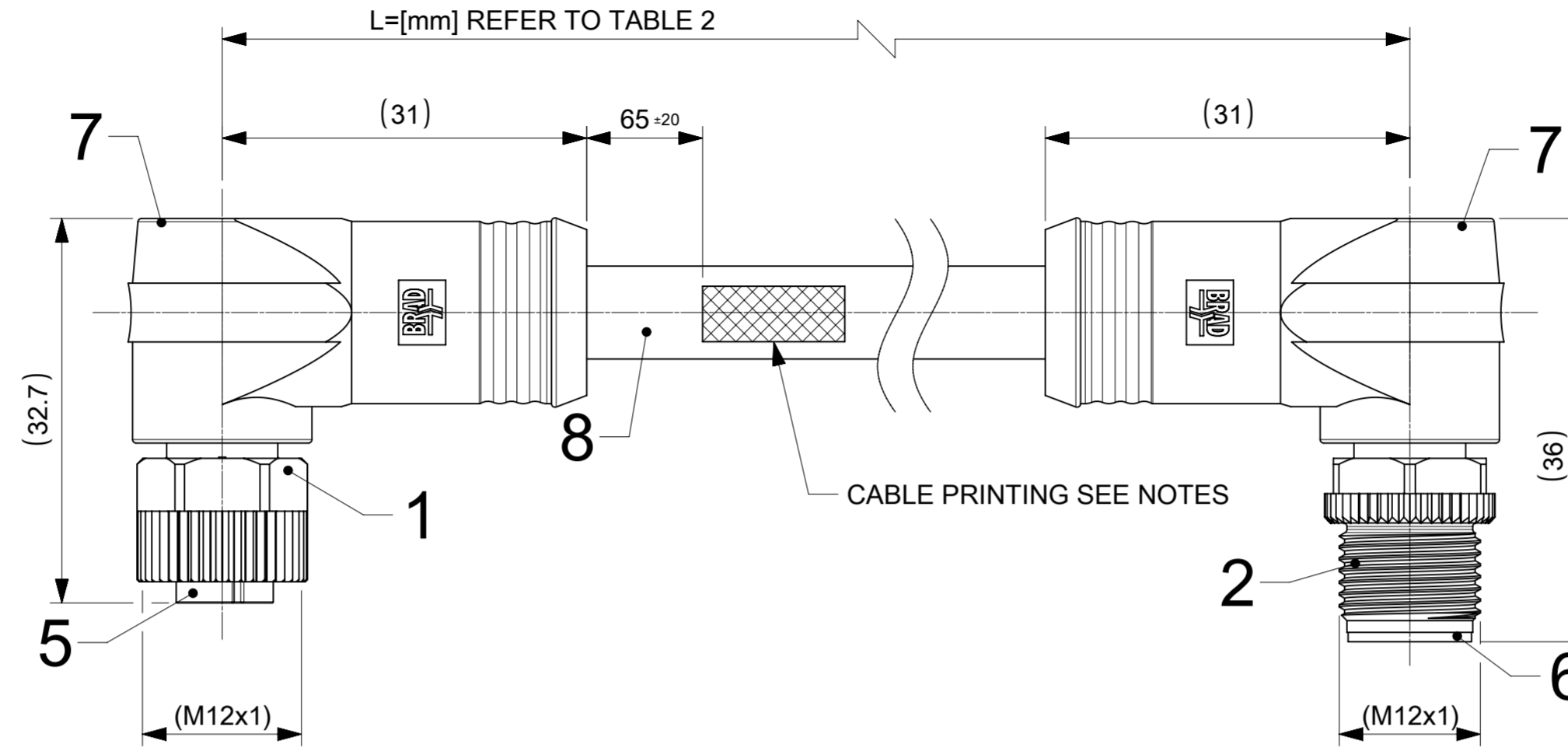
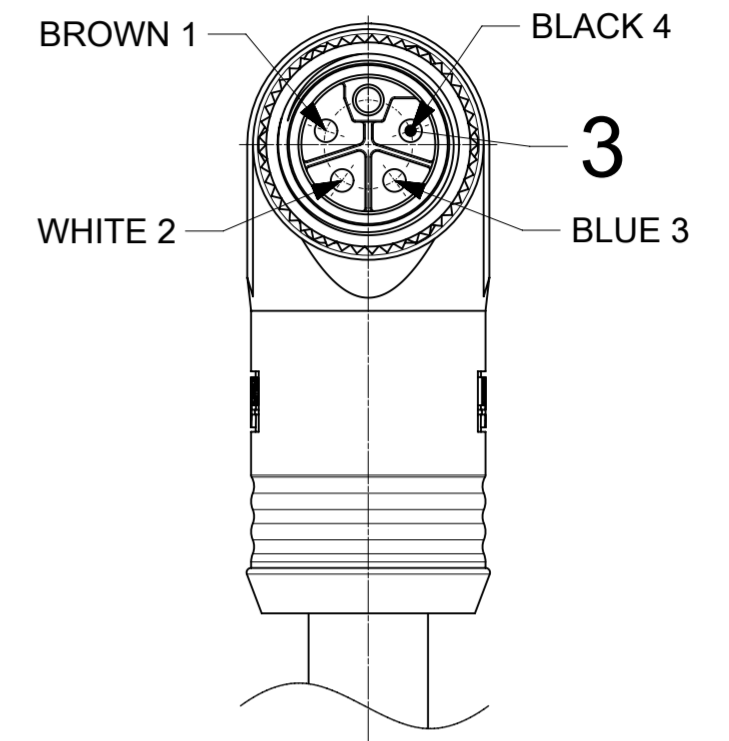


**MATING SIDE
FEMALE CONNECTOR**



**MATING SIDE
MALE CONNECTOR**



NOTES:

RATED VOLTAGE: MAX. 63V AC/DC
 RATED CURRENT: MAX. 12A at 40°C (derating has to be considered)
 IP RATING: IP67 (mated and locked condition)
 TEMPERATURE RANGE: -25°C TO +85°C

CABLE PRINTING (sequence as shown below):

- MOLEX part number
- "Made in " COUNTRY OF ORIGIN
- MOLEX AND DATE OF MANUFACTURING (YY=YEAR; WW=WEEK): MXYYYWW
- Not for current interrupting

PART ACCORDING PRODUCT SPEC: 1205010169
 PACKAGING ACCORDING PACKAGING SPEC: 1201202000

TABLE 1

POS	DESCRIPTION	MATERIAL	FINISH
1	NUT M12 FE	BRASS	Ni
2	NUT M12 MA	BRASS	Ni
3	CONTACT 15 MA	BRASS	Au
4	CONTACT 15 FE	BRASS	Au
5	INSERT FEMALE	PA	BLACK
6	INSERT MALE	PA	BLACK
7	OVERMOLD	TPE	BLACK
8	CABLE 4x1.5 D7.9 WSOR	PUR	BLACK
9	GASKET OR 8.2X1.25	FKM	BLACK
OPTIONAL 10	ID CARRIER	-	-

THIS DRAWING CONTAINS INFORMATION THAT IS PROPRIETARY TO MOLEX ELECTRONIC TECHNOLOGIES, LLC AND SHOULD NOT BE USED WITHOUT WRITTEN PERMISSION									
FUNCTIONAL SYMBOLS	FA = 0	FC = 0	FP = 0	DIMENSION UNITS: mm		SCALE: 2:1	CURRENT REV DESC: UPDATED ATTRIBUTE TO GENERAL MARKET IN ECTR		
	GENERAL TOLERANCES (UNLESS SPECIFIED)			ANGULAR TOL ± 1.0°		EC NO: 735577		2023/01/11	
DIVISIONAL SYMBOLS	4 PLACES ±		3 PLACES ±		2 PLACES ± 0.05		1 PLACE ± 0.3		0 PLACES ± 0.5
	DRWN: MARUTD		CHK'D: RSILLER		APPR: RSILLER		2023/01/19		2023/01/19
	INITIAL REVISION:		DRWN: FDAFERNER		APPR: RSILLER		2020/08/20		2022/12/05
	DRAFT WHERE APPLICABLE MUST REMAIN WITHIN DIMENSIONS		THIRD ANGLE PROJECTION		DRAWING		SERIES		MATERIAL NUMBER
A2-SIZE		120501		SEE TABLE 2		GENERAL MARKET		1 OF 2	

molex

CSE M12 4P LC FE RA MA RA WSOR BK XM

PRODUCT CUSTOMER DRAWING

DOCUMENT NUMBER
1205010256

DOC TYPE: PSD
DOC PART: 000
REVISION: A1

ENGINEERING NO - NUMERICAL CODE (Available parts see PART LIST table. Other parts available upon request).

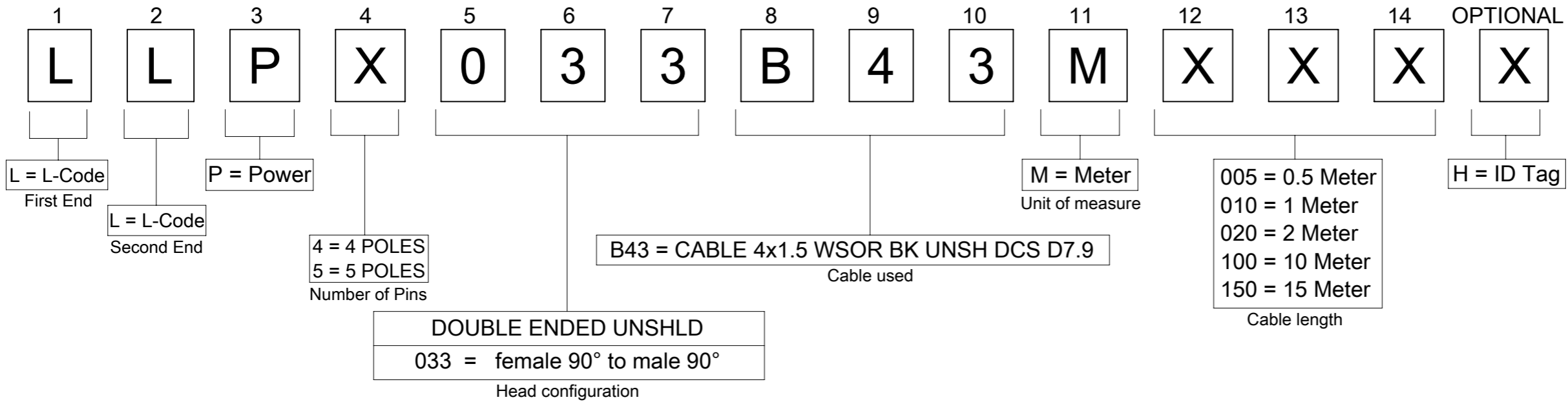


TABLE 2

NOMINAL SECTION 1,5mm ²			
MATERIAL NO.	ENGINEERING NO.	L [mm]	TOLERANCE [mm]
1205010256	LLP4033B43M005	500	+40
1205010257	LLP4033B43M010	1000	+40
1205010258	LLP4033B43M020	2000	+60
1205010259	LLP4033B43M030	3000	+60
1205010260	LLP4033B43M050	5000	+60
1205010261	LLP4033B43M100	10000	+80
1205010262	LLP4033B43M150	15000	+140
1205010263	LLP4033B43M200	20000	+140
DOCUMENT STATUS	P1	RELEASE DATE	2023/01/19 11:13:54

FUNCTIONAL SYMBOLS	THIS DRAWING CONTAINS INFORMATION THAT IS PROPRIETARY TO MOLEX ELECTRONIC TECHNOLOGIES, LLC AND SHOULD NOT BE USED WITHOUT WRITTEN PERMISSION		
	$\nabla_A = 0$ $\nabla_B = 0$ $\nabla_C = 0$	DIMENSION UNITS mm	SCALE 1:1
DIVISIONAL SYMBOLS	GENERAL TOLERANCES (UNLESS SPECIFIED)		EC NO: 735577 DRWN: MARUTD CHK'D: RSILLER APPR: RSILLER
	ANGULAR TOL $\pm 1.0^\circ$		
	4 PLACES	\pm	INITIAL REVISION: DRWN: FDAFERNER APPR: RSILLER
	3 PLACES	\pm	
	2 PLACES	± 0.05	
1 PLACE	± 0.3	2020/08/20 2022/12/05	
0 PLACES	± 0.5		
DRAFT WHERE APPLICABLE MUST REMAIN WITHIN DIMENSIONS		THIRD ANGLE PROJECTION 	DRAWING A3-SIZE
		SERIES 120501	MATERIAL NUMBER SEE TABLE 2
		CUSTOMER GENERAL MARKET	DOC TYPE PSD
			DOC PART 000
			REVISION A1
			SHEET NUMBER 2 OF 2



CSE M12 4P LC FE RA MA RA WSOR BK XM

PRODUCT CUSTOMER DRAWING

1205010256 PSD 000 A1