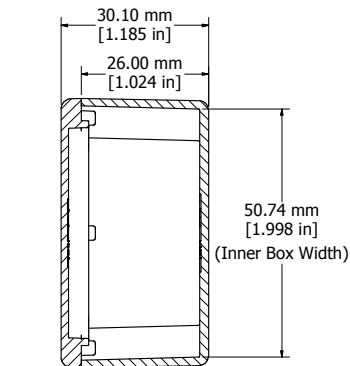
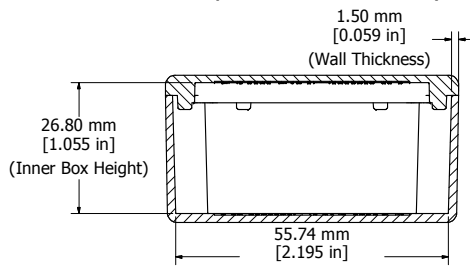


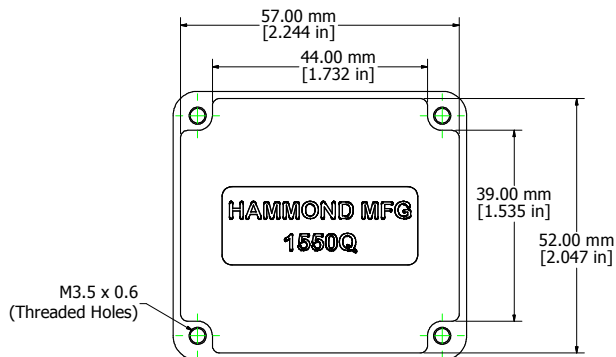
Top View of Assembly



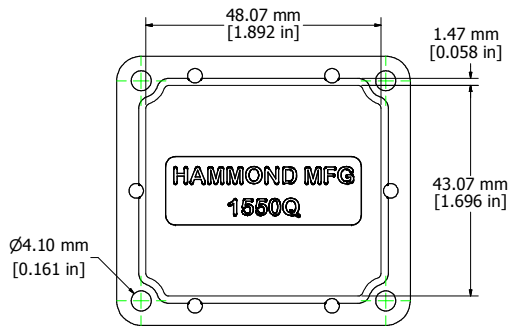
SECTION B-B
End View of Assembly



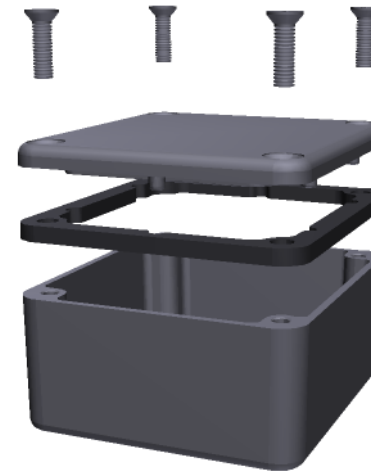
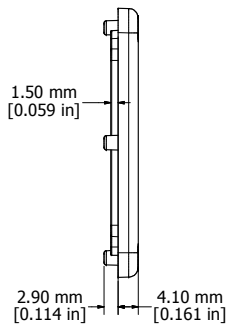
SECTION A-A
Side View of Assembly



Top View Looking Inside Box



View Looking Inside Lid



Enclosures can be Factory Modified (Milling, Drilling, Printing etc.)
Contact Factory mjm@hammondmfg.com for quotes
Solid models of this enclosure available in STEP or IGES.

NOTE	
Purchased assembly includes box, lid, and 4 cover screws.	
Box and lid are made from Diecast Aluminum Alloy.	
EVA Foam Gasket supplied with Liquid Resistant Enclosures	

PART NUMBERS	
1550Q Enclosure	
Unfinished	1550Q
Black Textured Polyester Powder Paint	1550QBK
1550WQ Liquid Resistant Enclosure	
Unfinished	1550WQ
Black Textured Polyester Powder Paint	1550WQBK
Accessories	
Recommended Torque: 75 ozf.in / 55 cN.m	
Unfinished Cover Screws (Pkg 100) [M3.5 x 0.6 18-8 SS]	1550MS100

HAMMOND MANUFACTURING™
1550WQ
www.hammondmfg.com