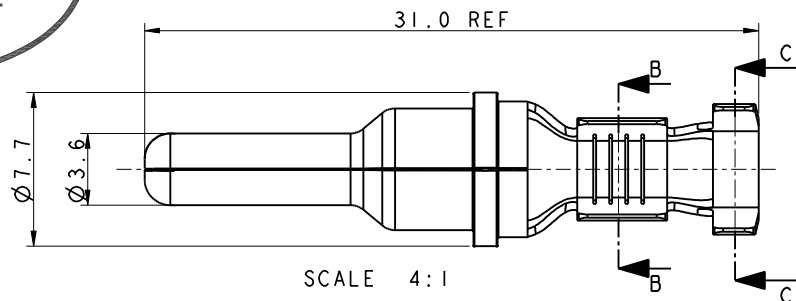
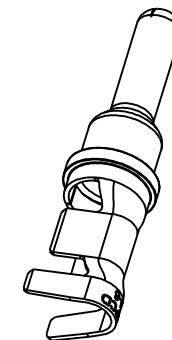
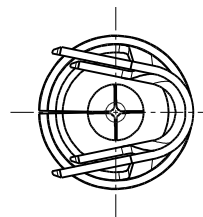


REV	ECN	DESCRIPTION	DATE	MODIFIED
A	C2569	RELEASE	Dec-06-17	Rock

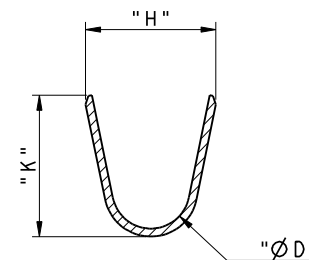
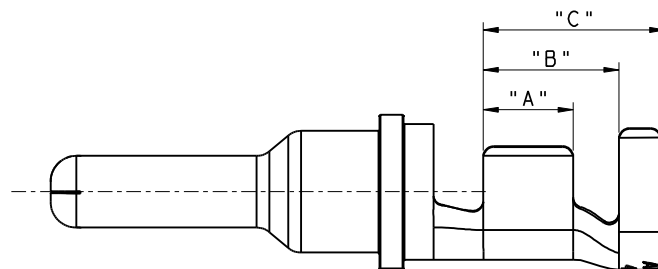
Amphenol PCDSZ  
ORIGINAL  
PDF Format  
R&D



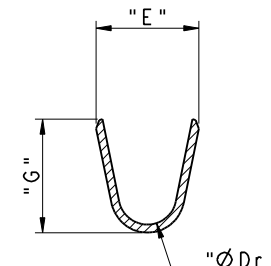
SCALE 4:1



安费诺精密连接器(深圳)有限公司  
Amphenol PCD Shenzhen  
受控文件  
2017年12月15日



SECTION C-C



SECTION B-B

PART NUMBER	WIRE RANGE	INSULATION OD	CRIMP DIMENSION (mm)			WIRE CRIMP	INSULATION CRIMP
			"A"	"B"	"C"		
C310026000	4~6mm <sup>2</sup>	∅ 3.40mm~∅ 4.30mm	4.5	7.0	9.1	E=5.3 G=5.6 ∅ Dr=2.9	H=6.7 K=7.0 ∅ D=3.9
C310026002	1.5~2.5mm <sup>2</sup>	∅ 2.20mm~∅ 3.00mm	3.5	4.7	6.3	E=3.8 G=4.0 ∅ Dr=1.7	H=4.7 K=4.9 ∅ D=2.6

- NOTES:
- MATERIAL: COPPER, T=0.4mm
  - PLATING: SILVER FINISHED
  - CURRENT CARRYING CAPACITY:  
40A@ 6mm<sup>2</sup> WIRE  
32A@ 4mm<sup>2</sup> WIRE  
23A@ 2.5mm<sup>2</sup> WIRE
  - CONTACT RESISTANCE: < 5mΩ
  - ROHS COMPLIANCE

DIMENSIONS ANSI Y14.5M UNITS: MM PRO/E FILE	TOLERANCES .X ±0.3 .XX ±0.10 ANGLES ±2.0°	PROJECTION 	Amphenol Pcd Shenzhen		TITLE <b>8# MALE CONTACT</b>			
			ENGR Rock Dec-06-17	CHKD <i>Jack</i>	SIZE <b>A3</b>	DWG NO. <b>C-C310026000</b>	REV <b>A</b>	CODE: 58982
ORIGINAL	THIS DOCUMENT CONTAINS PROPRIETARY INFORMATION WHICH IS THE CONFIDENTIAL PROPERTY OF AMPHENOL PCD SHENZHEN			APPD <i>Derek</i>				

C-C310026000

C-C310026000