

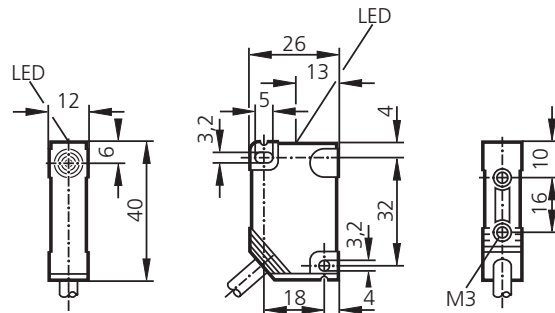
IN5129

IN-3004-BPKG

Quaderförmig
Kunststoff

Anschlußleitung

Schaltabstand 4mm [nb]
nicht bündig einbaubar



Elektrische Ausführung Ausgangsfunktion

| | |
|---------------------------------|------|
| Betriebsspannung | [V] |
| Strombelastbarkeit (Dauer) | [mA] |
| Strombelastbarkeit (Kurzzeit) | [mA] |
| Mindestlaststrom | [mA] |
| Kurzschlußschutz, getaktet | |
| Verpolungssicher / überlastfest | |
| Spannungsabfall (max. Last) | [V] |
| Reststrom | [mA] |
| Stromaufnahme | [mA] |
| Schaltfrequenz | [Hz] |

| | |
|----------------------|------------|
| Realschaltabstand Sr | [mm] |
| Arbeitsabstand | [mm] |
| Schaltpunktdrift | [% von Sr] |
| Hysterese | [% von Sr] |
| Korrekturfaktoren | |

| | |
|-----------------------|------|
| Schaltzustandsanzeige | |
| Umgebungstemperatur | [°C] |

Schutzart, Schutzklasse

EMV

Gehäusewerkstoff

Anschluß

Anschlußschema

3-Leiter DC PNP Schließer

| |
|--------------|
| 10 ... 36 DC |
| 250 |
| — |
| — |
| • |
| • |
| < 2,5 |
| — |
| < 15 (24 V) |
| 1300 |

| |
|------------------------------------------------------------------------|
| 4 ± 10% |
| 0 ... 3,25 |
| -10 ... +10 |
| 1 ... 15 |
| Stahl (St37) = 1; V2A ca. 0,7; Messing ca. 0,4; Al ca. 0,3; Cu ca. 0,2 |

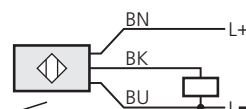
| |
|-------------|
| LED gelb |
| -25 ... +80 |

IP 67 

EN 60947-5-2;
EN 55011 Klasse B

PBTP

PVC-Kabel, 2m/3 x 0,5mm²



IN5129

IN-3004-BPKG

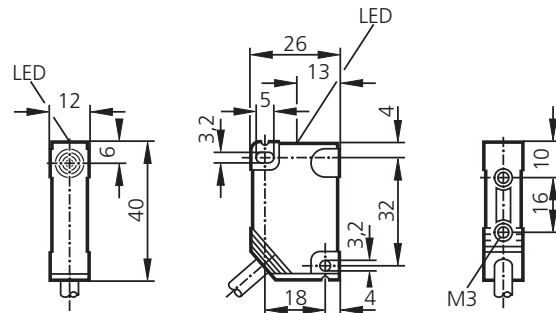
Rectangular

Plastic

Cable

Sensing range 4mm [nf]

non-flush mountable



Electrical design Output

| | |
|----------------------------------------|------|
| Operating voltage | [V] |
| Current rating (continuous) | [mA] |
| Current rating (peak) | [mA] |
| Minimum load current | [mA] |
| Short-circuit protection | |
| Reverse polarity / overload protection | |
| Voltage drop | [V] |
| Leakage current | [mA] |
| Current consumption | [mA] |
| Switching frequency | [Hz] |

| | |
|--------------------------|---------------|
| Real sensing range S_r | [mm] |
| Operating distance | [mm] |
| Switch-point drift | [% of S_r] |
| Hysteresis | [% of S_r] |
| Correction factors | |

| | |
|--------------------------|------|
| Output status indication | |
| Operating temperature | [°C] |

Protection

EMC

Housing material

Connection

Wiring

Core colours:
brown: BN
blue: BU
black: BK
white: WH

3-wire DC PNP normally open

| | |
|----------------------------------------|------------------------------------------------------------------------------------------------|
| Operating voltage | 10 ... 36 DC |
| Current rating (continuous) | 250 |
| Current rating (peak) | — |
| Minimum load current | — |
| Short-circuit protection | • |
| Reverse polarity / overload protection | • |
| Voltage drop | < 2.5 |
| Leakage current | — |
| Current consumption | < 15 (24 V) |
| Switching frequency | 1300 |
| Real sensing range S_r | $4 \pm 10\%$ |
| Operating distance | 0 ... 3.25 |
| Switch-point drift | -10 ... +10 |
| Hysteresis | 1 ... 15 |
| Correction factors | mild steel = 1; stainless steel approx. 0.7; brass approx. 0.4; Al approx. 0.3; Cu approx. 0.2 |

LED yellow

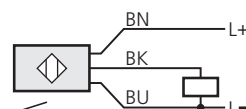
-25 ... +80

IP 67 

EN 60947-5-2;
EN 55011 class B

PBTP

PVC cable, 2m/3 x 0.5mm²



IN5129

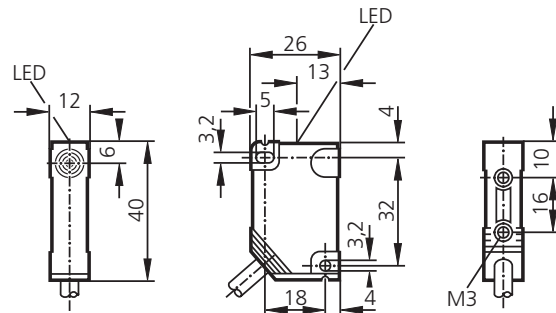
IN-3004-BPKG

Plastique

Raccordement par câble

Portée 4mm [nb]

non encastrable



Technologie Sortie

| | |
|-------------------------------------|------|
| Tension d'alimentation | [V] |
| Courant de sortie (au maintien) | [mA] |
| Courant de sortie (à l'appel) | [mA] |
| Courant de sortie minimum | [mA] |
| Protégé: courts-circuits | |
| Protégé: inv. de pol. et surcharges | |
| Chute tension / charge maxi | [V] |
| Courant résiduel | [mA] |
| Consommation | [mA] |
| Fréquence de commutation | [Hz] |

| | |
|--------------------------|-----------|
| Portée réelle Sr | [mm] |
| Portée de travail | [mm] |
| Dérive du point de comm. | [% de Sr] |
| Hystérésis | [% de Sr] |
| Facteurs de correction | |

| | |
|---------------------------|------|
| Indication de commutation | |
| Température ambiante | [°C] |

| | |
|------------|--|
| Protection | |
| CEM | |


Boîtier

Raccordement

Schéma de branchement

Couleurs des fils conducteurs:
noir: BK
brun: BN
bleu: BU
blanc: WH

3 fils DC PNP normalement ouvert

| |
|---------------------------------------------------------------------------------------------|
| 10 ... 36 DC |
| 250 |
| — |
| — |
| • |
| • |
| < 2,5 |
| — |
| < 15 (24 V) |
| 1300 |
| 4 ± 10% |
| 0 ... 3,25 |
| -10 ... +10 |
| 1 ... 15 |
| acier = 1; V2A (303) env. 0,7; laiton env. 0,4; Al env. 0,3; Cu env. 0,2 |
| LED jaune |
| -25 ... +80 |
| IP 67  |
| EN 60947-5-2; EN 55011 classe B |
| PBTP |
| câble PVC, 2m/3 x 0,5mm ² |

