


NOTE:

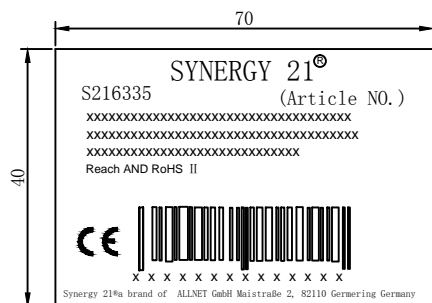
1. PANEL FRAME:SPCC CARBON STEEL T=1.2MM POWDER COATING
 2. PANEL BRACKET SPCC NICKEL PLATING
 3. For UNO ITEM NO. 227232 227631 227222 227121 227621 227641 227221 keystone Jack(Apply to the keystone jack which the width less than 17.4mm)
 4. BODY COLOR: Gray RAL 7035 "1 2 3.....12" Color: black Font : Arial H:4.4MM
 5. Accessory:
 1. Cable Tie(75X1.9mm) *12pcs
 2. expanded screw X 2 Set
- ROHS2.0 AND REACH COMPLIANT

SYNERGY 21[®]

"SYNERGY 2  " for black printing The pantone of Color is black c

"1" for blue printing The pantone of Color is 298C

SYNERGY 21										
					CUSTOMER		ITEM NO.	S216335		
		UPDATE PACKING TYPE	2018-03-20	A1	PRODUCT NAME	Mini 12 ports desktop blank Patch panel Toolless	manufacture country:	CHINA	UNIT	MM
		NEW	2016-01-15	A	DRAWNBY	CHECKBY	APPOBY	DATE		
BY	CHK	REVISION RECORD MODIFICATIONS	DATE	REV.	SYNERGY 21	SYNERGY 21		2018-03-20		



Label 1

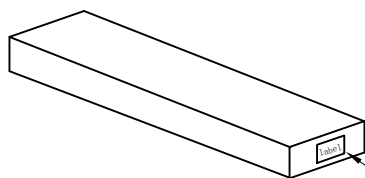
SHIPPING MARK



PO NO. :
REACH and ROHS 2.0 Compliant
MADE IN CHINA

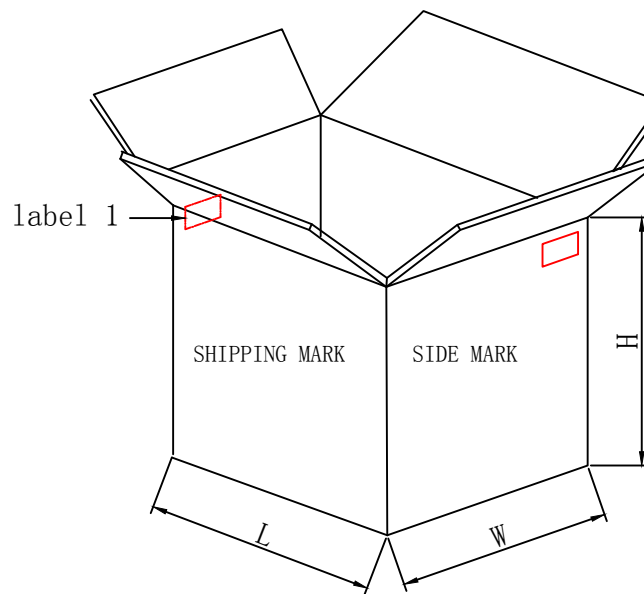
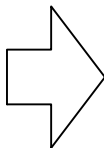
SIDE MARK

PO NO. :
Item no:
Q' TY:
N. W
G. W
Carton no.
MEAS.



label 1

1pcs/box+user guide+label 1



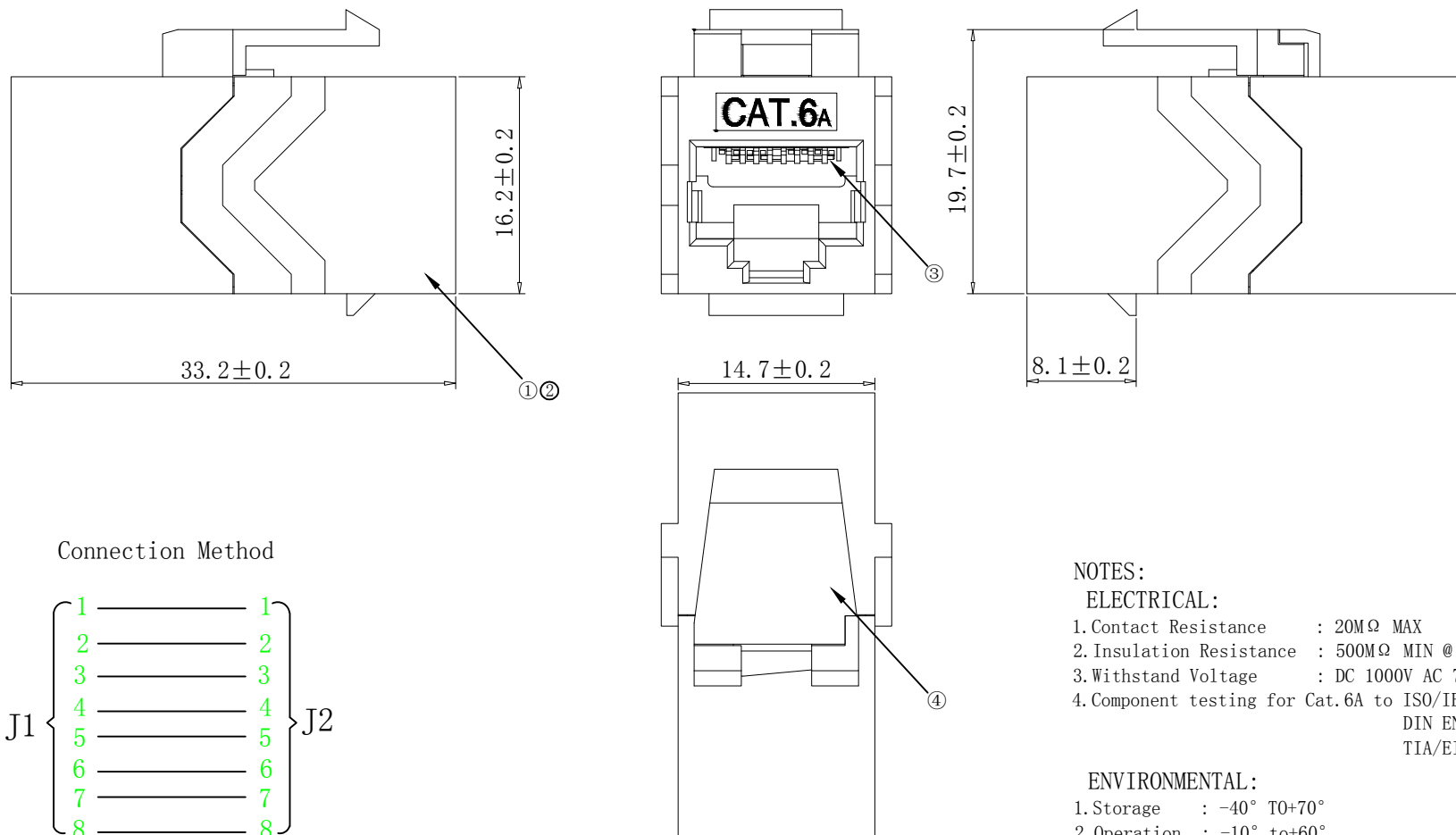
20pcs/Carton+Label 1

NOTE:

- 1.pcs/box+Label 1, 20pcs/Carton+Label 1
2. “工” type sealing
3. “井” type packaging

SYNERGY 21									
CUSTOMER			ITEM NO.			S216335			
PRODUCT NAME		Mini 12 ports desktop blank Patch panel Toolless		manufacture country:		CHINA	UNIT	MM	
DRAWNBY			CHECKBY			APPOBY		DATE	
SYNERGY 21			SYNERGY 21			SYNERGY 21		2018-03-20	

UPDATE PACKING TYPE			2018-03-20		A1					
NEW										
BY	CHK	REVISION RECORD MODIFICATIONS			DATE	REV.	SYNERGY 21	SYNERGY 21	SYNERGY 21	2018-03-20



NOTES:

ELECTRICAL:

- Contact Resistance : 20MΩ MAX
- Insulation Resistance : 500MΩ MIN @ 500V DC
- Withstand Voltage : DC 1000V AC 700V RMS 60Hz, 1MIN
- Component testing for Cat.6A to ISO/IEC 11801 Ed. 2.2:2011-06
DIN EN 50173-1:2011-09
TIA/EIA-568-C.2 (2009-08)

ENVIRONMENTAL:

- Storage : -40° TO+70°
- Operation : -10° to+60°

MECHANICAL

- RJ45 Contact Life: 750 Times Min
- Plug inforce:<30N

RoHS 2.0 and REACH Compliant

PACKING:1PCS/PE bag+1able1,10PCS/PE Bag+Lable 2, 50PCS/small box, xxPCS/CTN+LABLE 3

MATERIAL LIST:

④	Shrapnel	PC White	1	
③	Contact	8P8C Gold Plated	16	
②	Housing	Zinc Alloy	1	
①	PCB	FR-4, t=0.8	1	
NO	MAT. NAME	DESCRIPTION	QT' Y	REMARK

SYNERGY 21											
CUSTOMER		AN		ITEM NO.		S216317V3					
PRODUCT NAME		CAT. 6A STP RJ45 F/F Coupler Keystone jack Type Zinc Alloy Housing				manufacture country:		CHINA	UNIT	MM	
NEW		2019/09/03		A0		DRAWNBY		CHECKBY		APPOBY	DATE
BY	CHK	REVISION RECORD MODIFICATIONS			DATE	REV.	SYNERGY 21	SYNERGY 21	SYNERGY 21	2019/09/03	