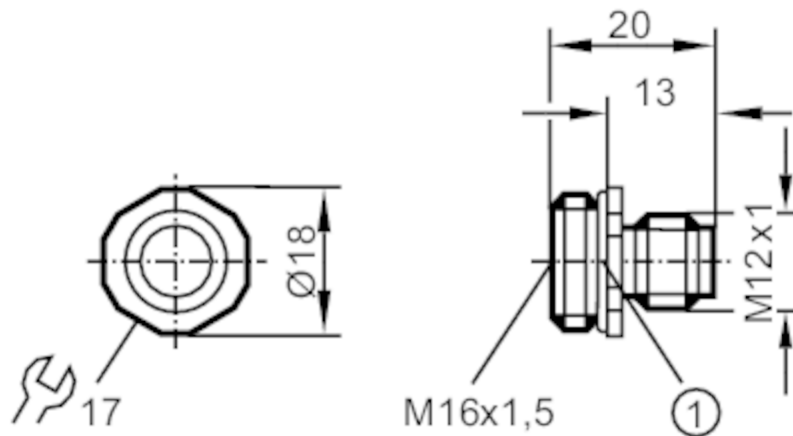


# E11528



## Adapter plug

ESTGH040MSS0,08E04 (M16)



1 O-ring

### Electrical data

Operating voltage [V] < 250 AC/DC

### Operating conditions

Ambient temperature [°C] -25...85

Protection IP 68

### Mechanical data

Weight [g] 12.9

Mounting thread M16

Materials diecast zinc nickel-plated

### Remarks

Pack quantity 1 pcs.

### Electrical connection

Cable: 0.08 m, PVC; 4 x 0.34 mm<sup>2</sup>

### Electrical connection - plug

Connector: 1 x M12, straight; Moulded body: diecast zinc, nickel-plated



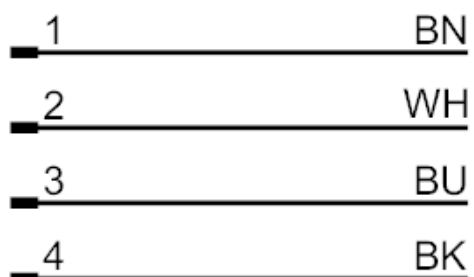
# E11528



## Adapter plug

ESTGH040MSS0,08E04 (M16)

### Connection



Core colours :

BK = black  
BN = brown  
BU = blue  
WH = white