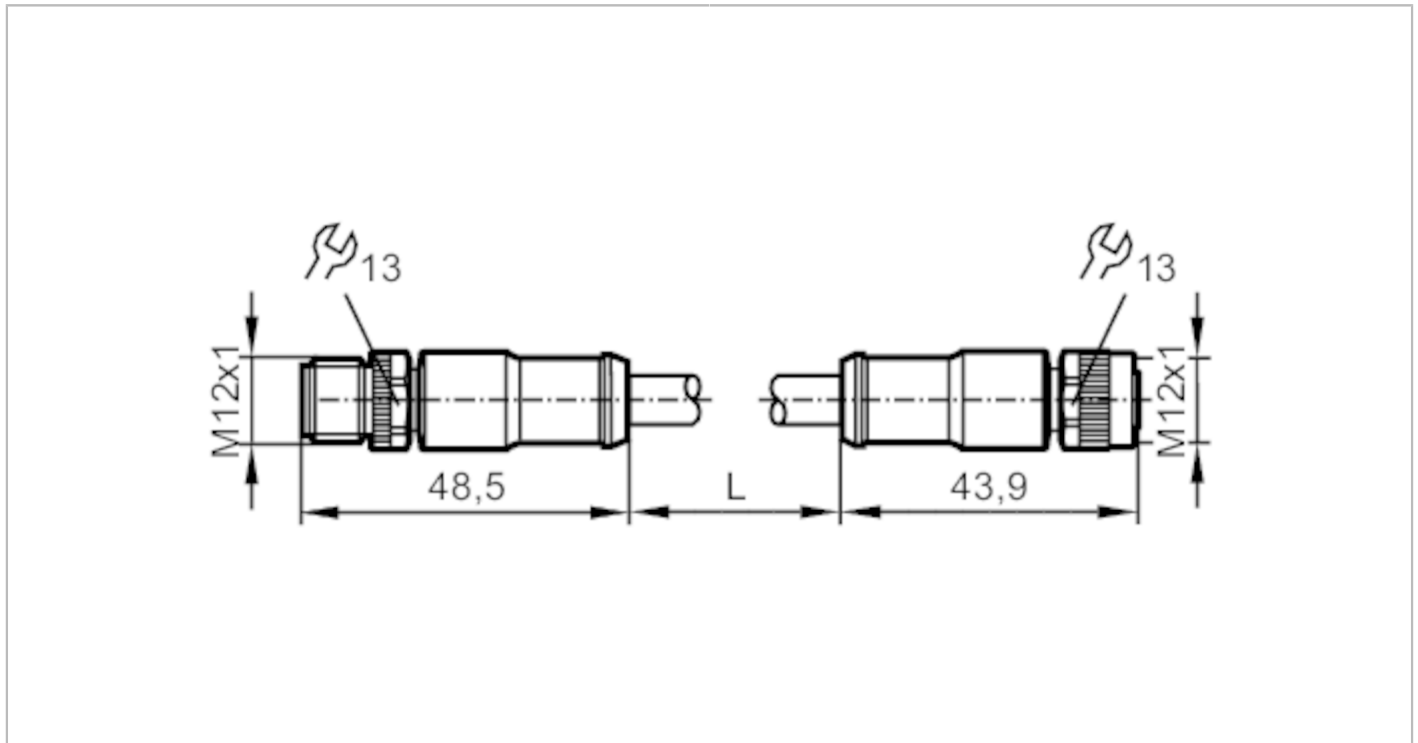


E11593



Connection cable

VDOGH050ZDA0002C05STGH050ZDS



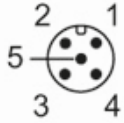
Application		
Special feature	Halogen-free; Gold-plated contacts; Screened cable; Drag chain suitability	
Application	CAN bus	
Electrical data		
Operating voltage [V]	< 30 AC / < 36 DC	
Max. current load total [A]	4	
Operating conditions		
Ambient temperature [°C]	-25...80	
Protection	IP 68	
Mechanical data		
Weight [g]	176.5	
Dimensions [mm]	14.5 x 14.5 x 48.5	
Materials	PUR	
Material nut	diecast zinc, nickel-plated / diecast zinc, nickel-plated	
Drag chain suitability	yes	
Drag chain suitability	bending radius for flexible use	min. 10 x cable diameter
	travel speed	max. 3.3 m/s for a horizontal travel length of 5 m and max. acceleration of 5 m/s ²
	bending cycles	> 1 Mio.
Remarks		
Pack quantity	1 pcs.	
Electrical connection - plug		
Connector: 1 x M12, straight; Moulded body: PUR; Locking: diecast zinc, nickel-plated; Contacts: gold-plated; Tightening torque: 0.5 Nm		

E11593



Connection cable

VDOGH050ZDA0002C05STGH050ZDS

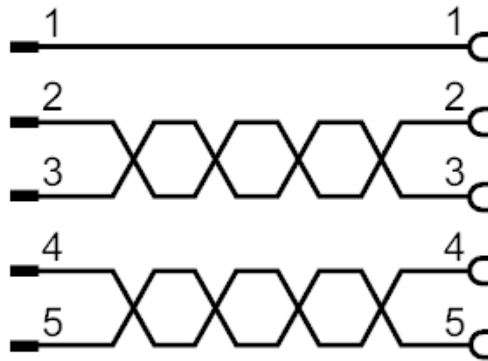


Electrical connection

Cable: 2 m, PUR, Halogen-free, lilac, Ø 6.8 mm, shielded; twisted; 2 (RD) / 3 (BK): 2 x 0.25 mm² (19 x Ø 0.13 mm) / twisted + 4 (WH) / 5 (BU): 2 x 0.34 mm² (19 x Ø 0.16 mm) / twisted

Cable: 2 m, PUR, Halogen-free, lilac, Ø 6.8 mm, shielded; Screen; 1: 1 x 0.34 mm² (19 x Ø 0.16 mm)

Connection



Core colours :

- BK = black
- BU = blue
- RD = red
- WH = white
- screen = screen

Electrical connection - socket

Connector: 1 x M12, straight; Moulded body: PUR; Locking: diecast zinc, nickel-plated; Contacts: gold-plated; Tightening torque: 0.5 Nm

