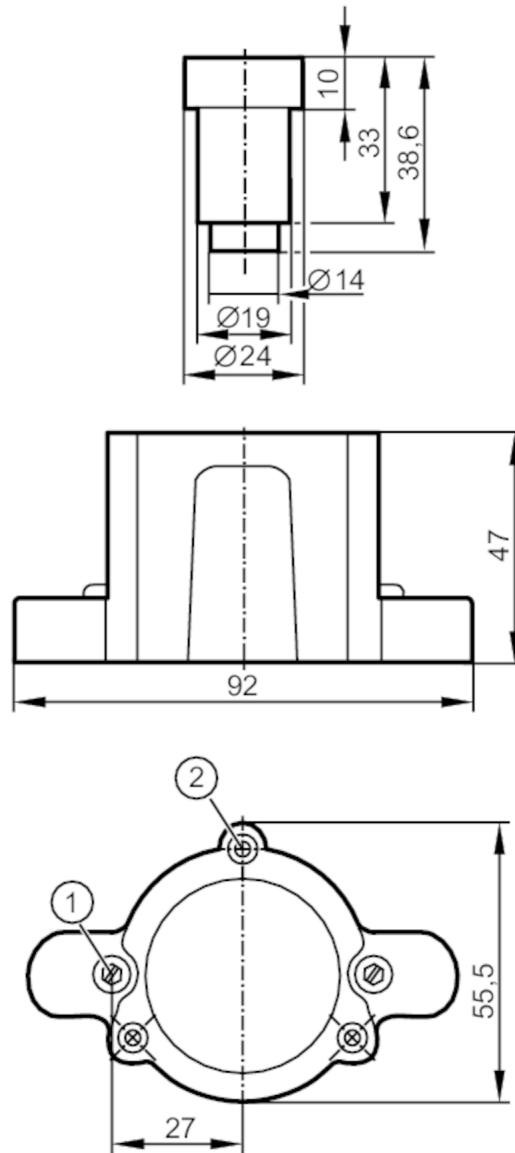


E12476



Mounting adapter for position sensors used on rising stem valves

VALVIS ADAPTER 19



- 1 socket head screw to fix the target on the valve piston
- 2 head cap screw M4 to fix the adapter on the valve
- 3 threaded hole M4 to fix the valve sensor on the adapter

Application

Design for Alfa Laval valves Typ LKLA-T (Butterfly Valves)

Mechanical data

Weight [g] 163.5

Materials Adapter: PA 6; Clamping device: stainless steel (1.4301 / 304); Target: stainless steel (1.4404 / 316L); screw: stainless steel (1.4301 / 304); Sealing: EPDM

Remarks

Pack quantity 1 pcs.