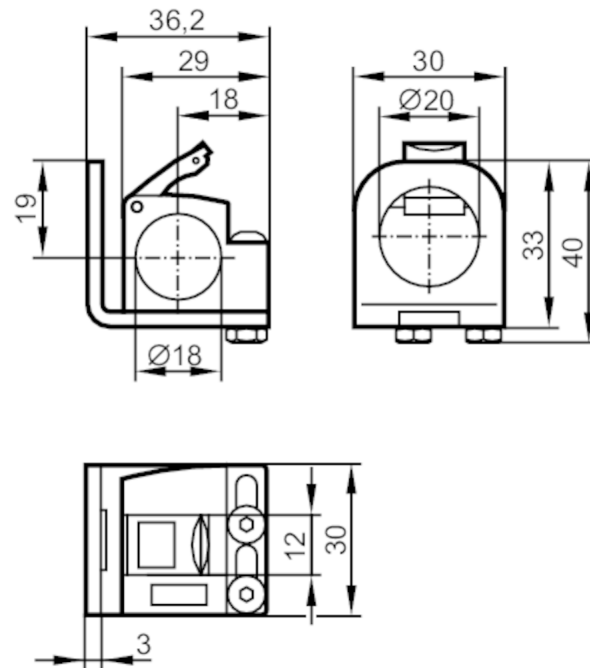


E21145



Angle bracket with mounting clamp

MOUNTING BRACKET+CLAMP M18



Application

Design clamp mounting, with end stop

Mechanical data

Weight	[g]	63
Dimensions	[mm]	Ø 18
Inside diameter	[mm]	18
Materials	fixture: stainless steel (1.4301 / 304); PC black	

Remarks

Pack quantity 1 pcs.