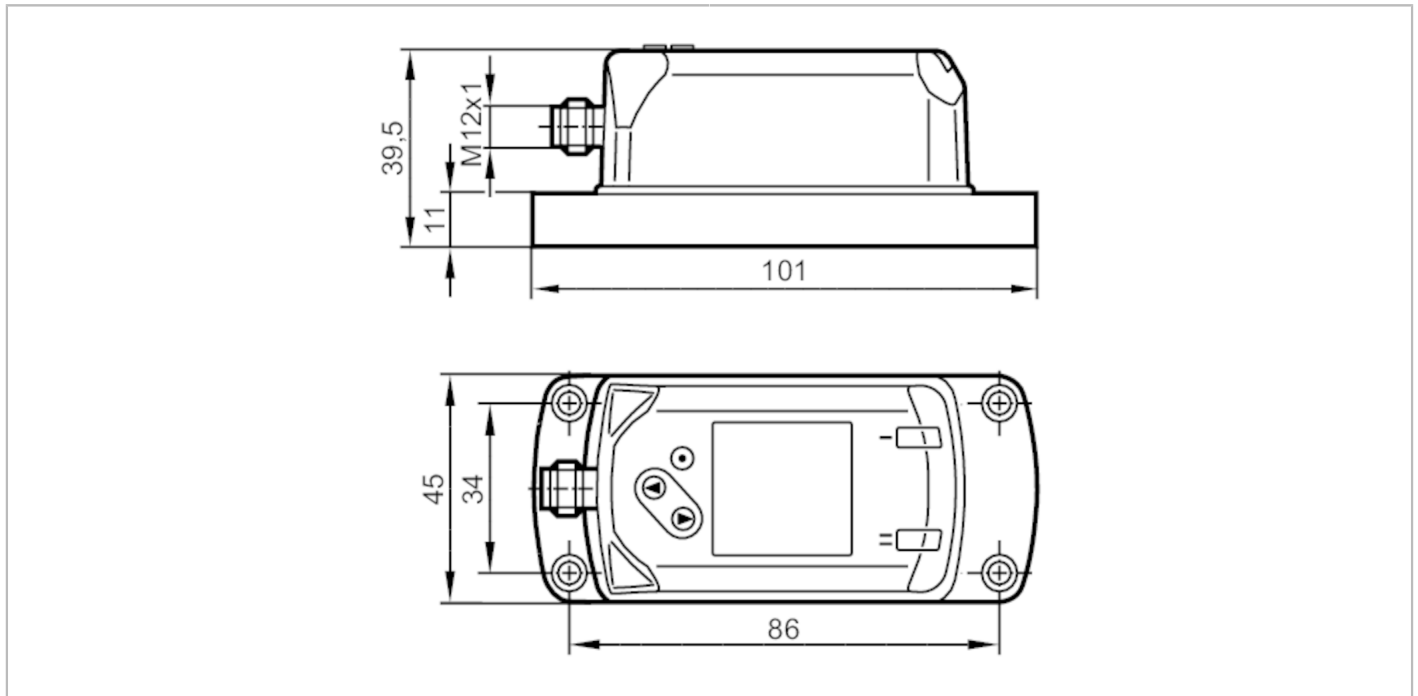


E30443



IO-Link display

IO-LINK MASTER DISPLAY 1,44



Application	
Special feature	Gold-plated contacts
Electrical data	
Operating voltage [V]	18...30 DC
Current consumption [mA]	< 47
Min. insulation resistance [MΩ]	100; (500 V DC)
Protection class	III
Reverse polarity protection	yes
Software / programming	
Parameter setting options	display, indication
Interfaces	
Communication interface	IO-Link
Transmission type	COM2 / COM3
IO-Link revision	1.1
SDCI standard	IEC 61131-9
IO-Link device ID	824 d / 00 03 338 h
Profiles	Smart Sensor: Process Data Variable; Device Identification, Device Diagnosis
SIO mode	no
Required master port type	A
Min. process cycle time [ms]	11.2
Operating conditions	
Ambient temperature [°C]	0...60
Storage temperature [°C]	-20...80
Protection	IP 65; IP 67

E30443



IO-Link display

IO-LINK MASTER DISPLAY 1,44

Tests / approvals		
EMC	DIN EN 61000-6-2	
	DIN EN 61000-6-4	
Shock resistance	DIN EN 60068-2-27	5 g (11 ms)
Vibration resistance	DIN EN 60068-2-6	5 g (10...50 Hz)
MTTF	[years]	398

Mechanical data	
Weight	[g] 171.5
Materials	stainless steel (1.4404 / 316L); PC; PBT-GF30; PPS; FKM;

Displays / operating elements	
Display	colour display 1,44", 128 x 128 pixels 2 x LED, yellow

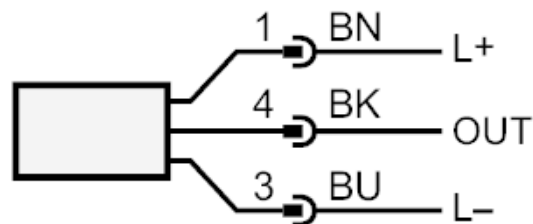
Remarks	
Pack quantity	1 pcs.

Electrical connection - plug

Connector: 1 x M12; Contacts: gold-plated



Connection



colours to DIN EN 60947-5-2

Core colours :

- BK = black
- BN = brown
- BU = blue