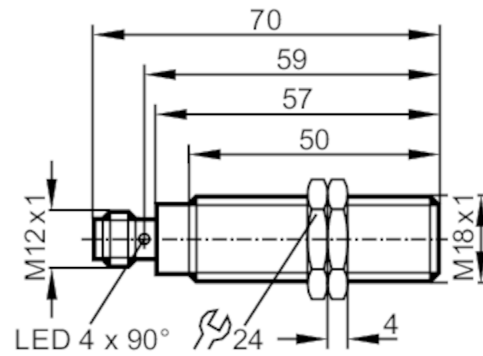


IGR200



Inductive full-metal sensor

IGK3006BBPKG/AM/SC/US-104-DPS



Product characteristics

| | |
|--------------------|------------------|
| Electrical design | PNP |
| Output function | normally open |
| Sensing range [mm] | 6 |
| Housing | threaded type |
| Dimensions [mm] | M18 x 1 / L = 70 |

Application

| | |
|-------------------------|--|
| Special feature | Gold-plated contacts; Increased sensing range; Full-metal housing; Magnetic-field immune; anti-spatter |
| Application | Use in welding applications |
| Pressure rating [bar] | 100 |
| Note on pressure rating | sensing face |
| Magnetic-field immune | yes; (pulse duration of the welding current: < 200 ms) |

Electrical data

| | |
|-----------------------------|------------|
| Operating voltage [V] | 10...36 DC |
| Current consumption [mA] | < 20 |
| Protection class | III |
| Reverse polarity protection | yes |

Outputs

| | |
|--|---------------|
| Electrical design | PNP |
| Output function | normally open |
| Max. voltage drop switching output DC [V] | 2.5 |
| Permanent current rating of switching output DC [mA] | 100 |
| Switching frequency DC [Hz] | 2 |
| Short-circuit protection | yes |
| Type of short-circuit protection | pulsed |
| Overload protection | yes |

IGR200



Inductive full-metal sensor

IGK3006BBPKG/AM/SC/US-104-DPS

| Detection zone | | |
|---|---------------------------|--|
| Sensing range | [mm] | 6 |
| Operating distance | [mm] | 0...4.9 |
| Increased sensing range | | yes |
| Accuracy / deviations | | |
| Correction factor | | steel: 1 / stainless steel: 0.7 / brass: 0.5 / aluminium: 0.3 / copper: 0.1 |
| Hysteresis | [% of Sr] | 1...20 |
| Operating conditions | | |
| Ambient temperature | [°C] | 0...85 |
| Protection | | IP 67 |
| Tests / approvals | | |
| EMC | EN 61000-4-2 ESD | 4 kV CD / 8 kV AD |
| | EN 61000-4-3 HF radiated | 10 V/m |
| | EN 61000-4-4 Burst | 2 kV |
| | EN 61000-4-6 HF conducted | 10 V |
| | EN 55011 emission | class B |
| Impact resistance | | 1 J |
| MTTF | [years] | 1351 |
| UL approval | Ta | -25...70 °C |
| | Enclosure type | Type 1 |
| | voltage supply | Limited Voltage/Current |
| | UL Approval no. | A012 |
| | File number UL | E174191 |
| Mechanical data | | |
| Weight | [g] | 63 |
| Housing | | threaded type |
| Mounting | | flush mountable |
| Dimensions | [mm] | M18 x 1 / L = 70 |
| Thread designation | | M18 x 1 |
| Materials | | housing: stainless steel (1.4404 / 316L) anti-spatter; sensing face: stainless steel (1.4404 / 316L) anti-spatter; plug: PA; lock nuts: stainless steel (1.4404 / 316L) anti-spatter |
| Tightening torque | [Nm] | 35 |
| Full-metal housing | | yes |
| Displays / operating elements | | |
| Display | switching status | 4 x 90° LED, yellow |
| | operation | 1 x LED, green |
| Accessories | | |
| Accessories (supplied) | | lock nuts: 2 |
| Remarks | | |
| Pack quantity | | 1 pcs. |
| Electrical connection - plug | | |
| Connector: 1 x M12; Contacts: gold-plated | | |

IGR200

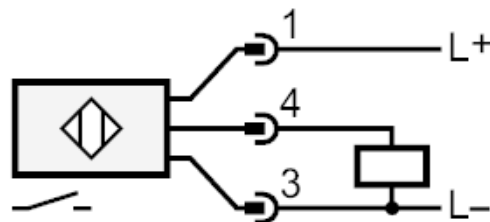


Inductive full-metal sensor

IGK3006BBPKG/AM/SC/US-104-DPS

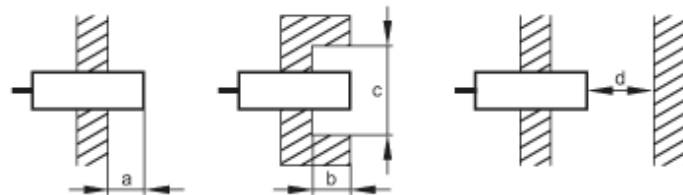


Connection



Diagrams and graphs

Installation



| [mm] | a | b | c (Ø) | d |
|------|----|----|-------|----|
| Fe | 0 | 0 | - | 18 |
| Al | 13 | 20 | 54 | 18 |

