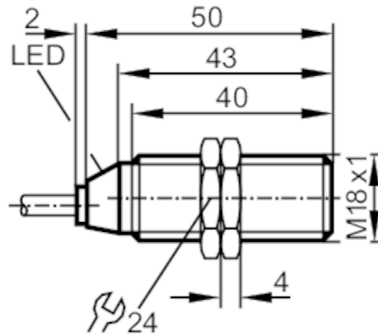


# MGS201



## Magnetic sensor

MGB3070-BPKG/M/ZH



### Product characteristics

Electrical design	PNP
Output function	normally open
Sensing range [mm]	70; (referred to magnet M 4.0)
Housing	threaded type
Dimensions [mm]	M18 x 1 / L = 50

### Electrical data

Operating voltage [V]	10...30 DC; ("supply class 2" to cULus)
Current consumption [mA]	< 10
Protection class	II
Reverse polarity protection	yes

### Outputs

Electrical design	PNP
Output function	normally open
Max. voltage drop switching output DC [V]	2.5
Permanent current rating of switching output DC [mA]	200
Switching frequency DC [Hz]	5000
Short-circuit protection	yes
Overload protection	yes

### Detection zone

Sensing range [mm]	70; (referred to magnet M 4.0)
Response sensitivity [mT]	0.8

### Accuracy / deviations

Hysteresis [% of Sr]	1...10
----------------------	--------

### Operating conditions

Ambient temperature [°C]	-25...75
Protection	IP 67

# MGS201



## Magnetic sensor

MGB3070-BPKG/M/ZH

### Tests / approvals

EMC	EN 61000-4-2 ESD	4 kV CD / 8 kV AD
	EN 61000-4-3 HF radiated	10 V/m
	EN 61000-4-4 Burst	2 kV
	EN 61000-4-5 Surge	0,5 kV line to line, Ri: 2 Ohm
	EN 61000-4-6 HF conducted	10 V
	EN 55011	class B
MTTF	[years]	2630

### Mechanical data

Weight	[g]	130
Housing		threaded type
Dimensions	[mm]	M18 x 1 / L = 50
Thread designation		M18 x 1
Materials		housing: stainless steel; sensing face: PBT orange; lock nuts: brass

### Displays / operating elements

Display	switching status	1 x LED, yellow
---------	------------------	-----------------

### Accessories

Accessories (supplied)	lock nuts: 2
------------------------	--------------

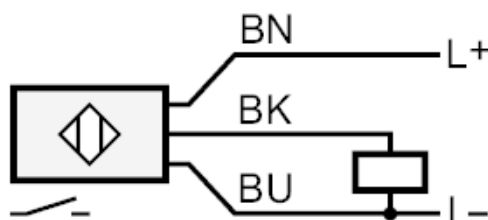
### Remarks

Pack quantity	1 pcs.
---------------	--------

### Electrical connection

Cable: 2 m, PUR; 3 x 0.34 mm<sup>2</sup>

### Connection



- Core colours :
- BK = black
  - BN = brown
  - BU = blue