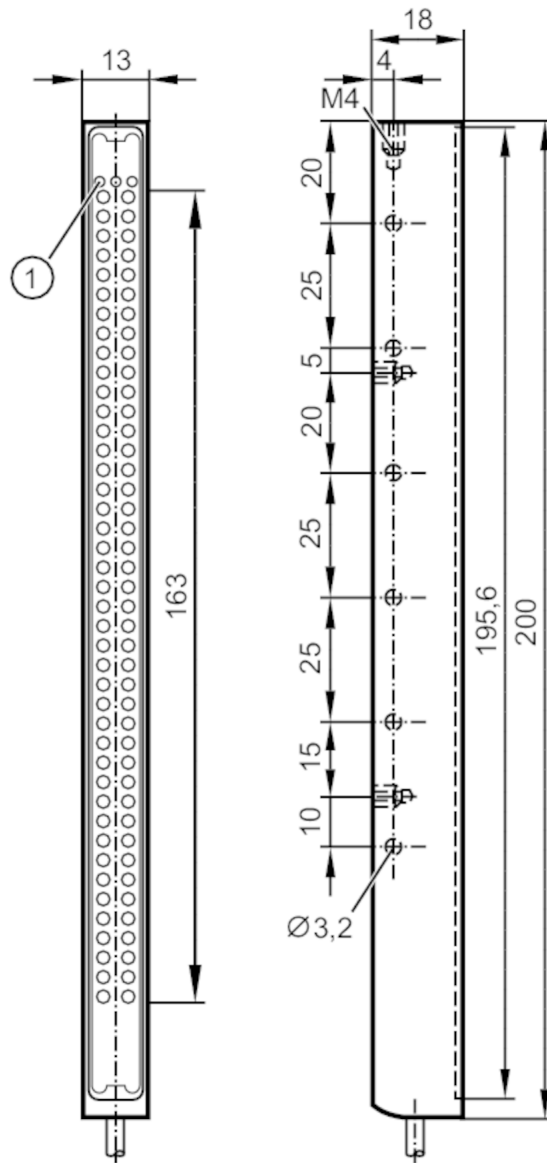


# O2D925



## External illumination

BAR LIGHT 10x150 IR/0,3M/US



1 LED



### Product characteristics

|                 |                |
|-----------------|----------------|
| Type of light   | infrared light |
| Dimensions [mm] | 200 x 13 x 18  |

### Application


|                        |   |
|------------------------|---|
| Illuminated field [mm] | 10 x 150  |
| Design                 | bars  |
| Type of operation      | high light intensity (pulsed, permanent operation with cooling only); normal light intensity (permanent operation possible) |

# O2D925



## External illumination

BAR LIGHT 10x150 IR/0,3M/US

| Electrical data   |                     |   |
|---|---------------------|---|
| Operating voltage   | [V]                 | 24 DC   |
| Current consumption   | [mA]                | operating mode "permanent operation": 415; operating mode "high light intensity": 640 |
| Type of light   |                     | infrared light  |
| Wave length   | [nm]                | 875   |
| Inputs  |                     |   |
| Trigger   |                     | 24 V PNP  |
| Operating conditions  |                     |   |
| Ambient temperature   | [°C]                | -10...55  |
| Storage temperature   | [°C]                | -25...75  |
| Protection  |                     | IP 65   |
| Overheat protection   |                     | yes; (deactivation at 65...75 °C)   |
| Tests / approvals   |                     |   |
| Photobiological safety  |                     | risk group 1; (DIN EN 62471:2008)   |
| Mechanical data   |                     |   |
| Weight  | [g]                 | 218.5   |
| Dimensions  | [mm]                | 200 x 13 x 18   |
| Materials   |                     | aluminium black anodised  |
| Lens material   |                     | glass   |
| Displays / operating elements   |                     |   |
| Display   | illumination status | 1 x LED, yellow   |
|   | operation           | 1 x LED, green  |
|   | excess temperature  | 1 x LED, red  |
| Remarks   |                     |   |
| Pack quantity   |                     | 1 pcs.  |
| Electrical connection   |                     |   |
| Cable: 0.3 m, PUR, black; 4 x 0.34 mm <sup>2</sup>                                  |                     |   |
| Connector: 1 x M12  |                     |   |
|  |                     |   |

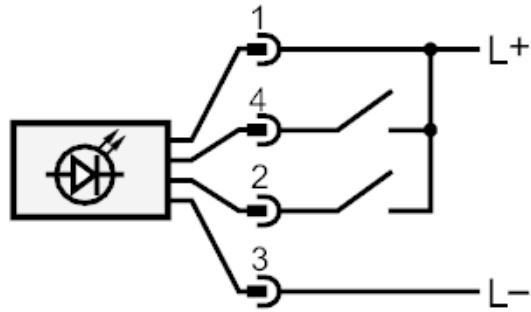
# O2D925



## External illumination

BAR LIGHT 10x150 IR/0,3M/US

### Connection



- 4 trigger
- 2 operating mode "high light intensity"