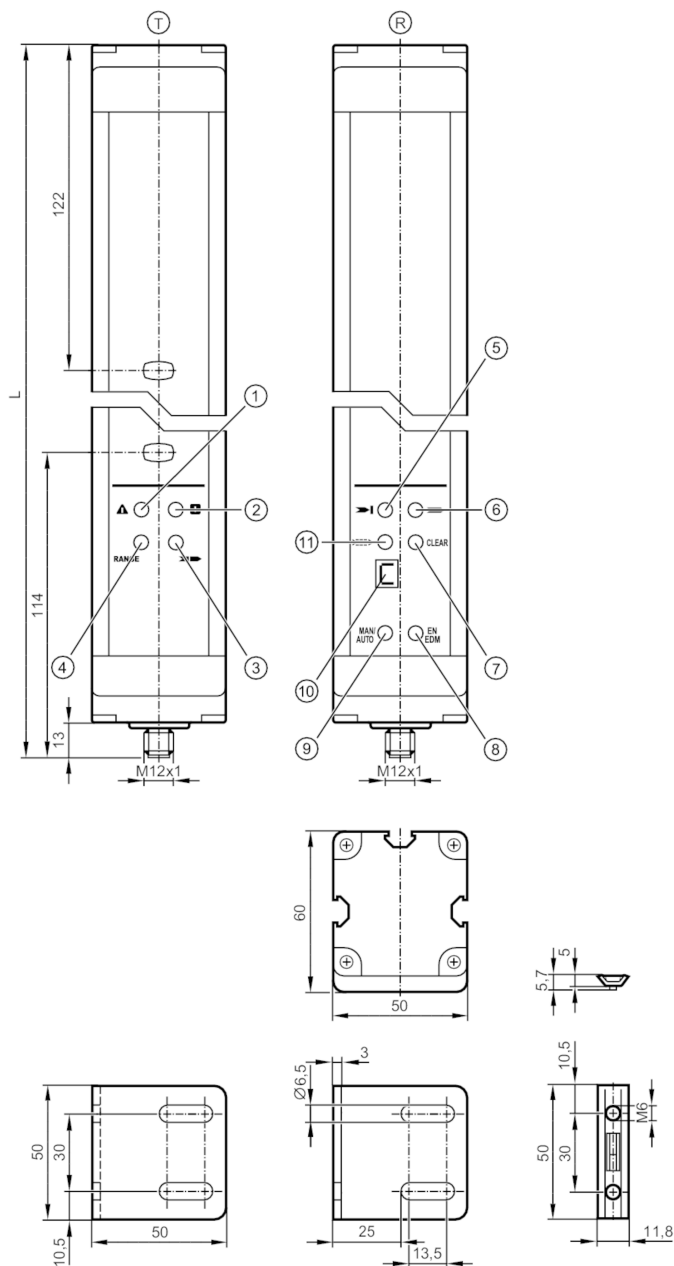


# OY953S



## Safety light grids

OYA0910-04-4-60-P-1



- T transmitter
- R receiver
- 1 LED red
- 2 LED green
- 3 LED yellow
- 4 LED orange
- 5 LED red
- 6 LED green
- 7 LED yellow
- 8 LED yellow
- 9 LED yellow
- 10 display
- 11 LED orange





## Safety light grids

OYA0910-04-4-60-P-1

Product characteristics		
Type of light		infrared light
Dimensions	[mm]	1136 x 50 x 60
Application		
Protective function		access prevention body protection
Electrical data		
Operating voltage tolerance	[%]	20
Operating voltage	[V]	24 DC
Protection class		III
Reverse polarity protection		yes
Power-on delay time	[s]	< 10
Type of light		infrared light
Wave length	[nm]	950
Receiver		
Current consumption	[mA]	250
Transmitter		
Current consumption	[mA]	125
Outputs		
Electrical design		PNP
Number of OSSD outputs		2
Max. current load per OSSD output	[mA]	500; (24 V)
Short-circuit protection		yes
Detection zone		
Protected area height	[mm]	910
Number of beams		4
Protection area width (low light intensity)	[m]	8...30
Protection area width (high light intensity)	[m]	18...60
Response times		
Response time	[ms]	7
Operating conditions		
Applications		class C to EN 60654-1 weatherproof application
Ambient temperature	[°C]	-10...55
Max. relative air humidity	[%]	95
Protection		IP 65
Tests / approvals		
EMC		IEC 61496-1
Shock resistance		IEC 61496-1
Vibration resistance		IEC 61496-1



## Safety light grids

OYA0910-04-4-60-P-1

Safety classification		
ESPE type (IEC 61496-1)	4	
ISO 13849-1	category 4, PL e	
IEC 61508	SIL 3	
IEC 62061	SIL cl 3	
Mission time TM [h]	175200	
Safety-related reliability PFHD [1/h]	7.9E-09	
Mechanical data		
Weight [g]	7690	
Dimensions [mm]	1136 x 50 x 60	
Materials	housing: aluminium; front lens: PC	
Length L [mm]	1136	
Displays / operating elements		
Display	transmitter	4 x LED
	receiver	6 x LED
	receiver	LC display
Accessories		
Accessories (supplied)	mounting bracket: 6 slot nuts: 6	
Remarks		
Notes	For 8-pole sockets the core colours are not standardised.; Please note the wiring of the sensor and the sockets (see data sheet).	
Pack quantity	1 pcs.	
Electrical connection - receiver		
Connector: 1 x M12; Maximum cable length: 100 m; for wire cross-section 1 mm <sup>2</sup>		

# OY953S



## Safety light grids

OYA0910-04-4-60-P-1

### Connection



### Electrical connection - transmitter

Connector: 1 x M12



# OY953S



## Safety light grids

OYA0910-04-4-60-P-1

### Connection

