

**SIEMENS CONTACTOR SUPPRESSOR**

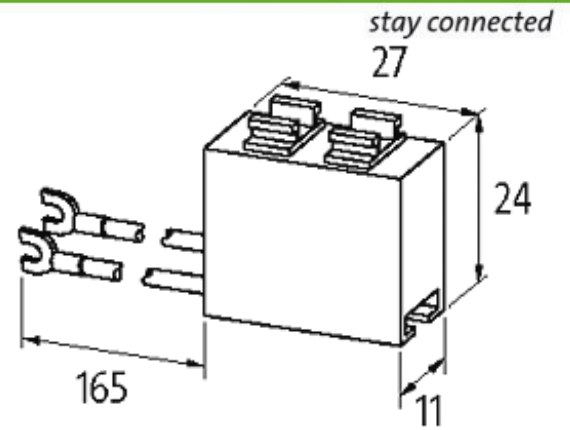
RC, 110VAC/DC

48 V AC/DC  
110 V AC/DC  
RC

For other configurations and voltages, please inquire

[Link to Product](#)**Illustration**

RC



Product may differ from Image

### Approvals



### Appropriate contactors

3 TH 3/4/8; 3 TF 30...45; 3 TB 40...3 TB 44

### Technical Data

Damping factor	approx. 1.5 × UN
Material	Flame retardant plastic acc. to (UL 94)
Connection wires	self-securing cable forks

### General data

Temperature range	-20...+70 °C
Dimensions H × W × D	11×27×24 mm

### Commercial data

country of origin	CZ
customs tariff number	85363010
minimum order quantity	1