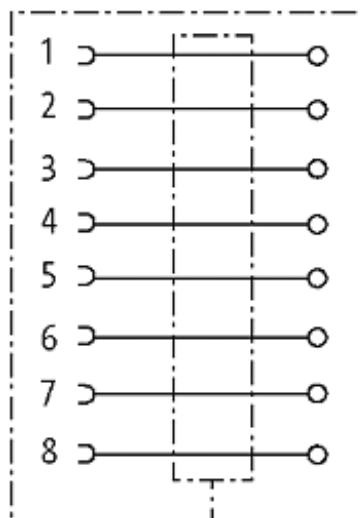
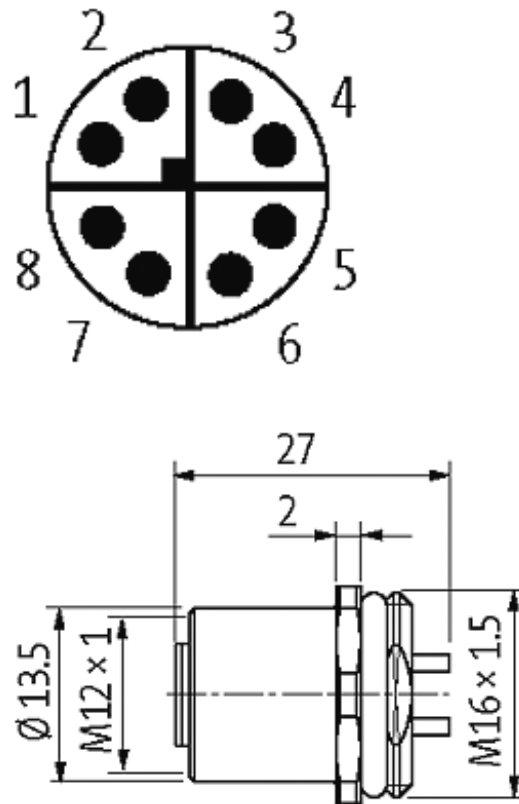


M12 female receptacle X coded rear mount solder

Flange M12 female
X-coded, 8-pole
Solder connection
Rear mounting
Mounting nut

[Link to Product](#)**Illustration**

Female



Product may differ from Image

Form

21161

Technical Data

Operating voltage	max. 50 V AC/60 V DC
Operating current per contact	max. 0.5 A
Transfer rate	10 Gbit/s
Locking of ports	Screw thread M12 × 1 mm (recommended torque 0.6 Nm) self-securing
Protection	IP67 inserted and tightened (EN 60529)

General data

Temperature range	-40...+85 °C
-------------------	--------------

Commercial data

country of origin	DE
customs tariff number	85369010
minimum order quantity	1