



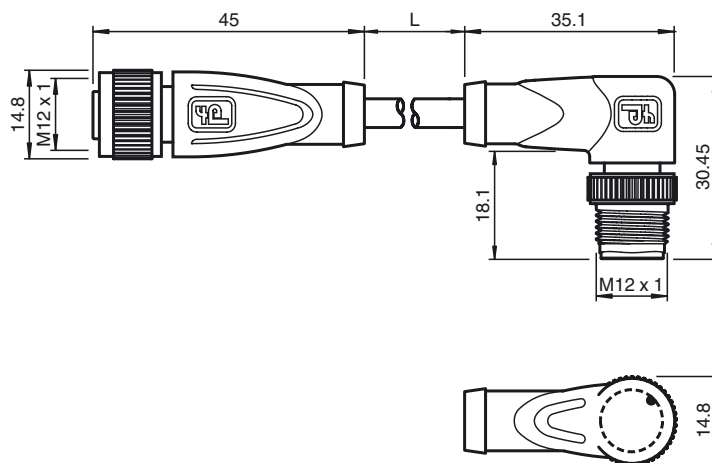
**Model Number**

**V1-G-2M-PVC-V1-W**  
 Connecting cable, M12 to M12, PVC cable 4-pin

**Features**

- Knurled nut suitable for tool assembly
- Immunity to vibration, with mechanical latching
- Gold-plated and machined contacts
- Degree of protection IP67 / IP68 / IP69K
- Suitable for 2-, 3- and 4-wire technology

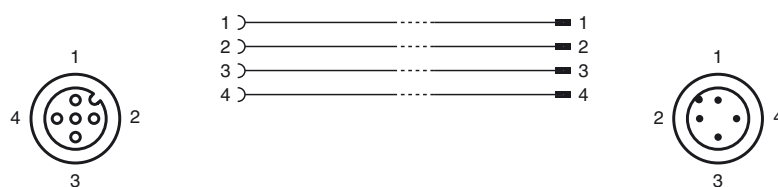
**Dimensions**



**Technical data**

General specifications		
Number of pins		4
Connection 1		socket
Construction type 1		straight
Threading 1		M12
Connection 2		Male connector
Construction type 2		right angle
Threading 2		M12
Electrical specifications		
Operating voltage	$U_B$	max. 250 V AC/DC
Test voltage		> 1500 V <sub>eff</sub> AC
Operating current		max. 4 A
Volume resistance		< 5 mΩ
Ambient conditions		
Ambient temperature		cable, fixed: -25 ... 70 °C (-13 ... 158 °F) cable, flexing: -5 ... -70 °C (23 ... -94 °F)
Pollution Degree		3
Mechanical specifications		
Contact elements		spring-loaded contact socket
Pin diameter		1 mm
Degree of protection		IP67 / IP68 / IP69k
Material		
Contacts		CuSn / Au
Contact surface		Au
Body		TPU, green
Cable		PVC
Slotted nut		Diecast zinc
Sleeve connector		Diecast zinc
Core insulation		PVC
Cable		fine-strand, flexible
Sheath diameter		Ø 4.8 mm
Bending radius		> 10 x cable diameter, moving
Color		grey
Cores		4 x 0.34 mm <sup>2</sup>
Conductor construction		19 x 0.15 mm Ø
Length	L	2 m

**Electrical connection**



Release date: 2014-03-25 14:10 Date of issue: 2014-03-25 118362\_eng.xml