

**RoHS  
Compliant**

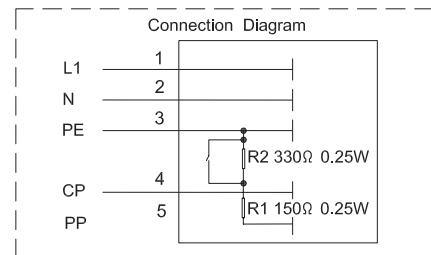
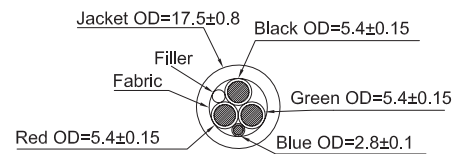
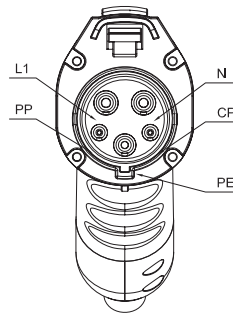
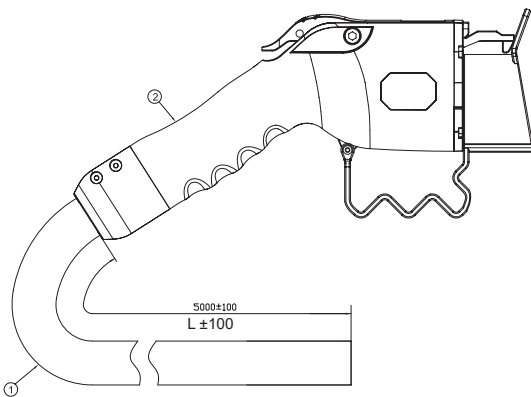
**TUV Approved**



### Specification

Rated Current	: 32A
Rated Voltage	: 240 AC
Insulation Resistance	: >1000MΩ (DC500V)
Contact Resistance	: 0.5mΩ Max
Withstand Voltage	: 2000V
Fire Rating	: UL94 V-0
Insertion and Extraction force	: F≤100N
Protection level	: IP54
Housing	: Thermoplastic Plastics
Conduct	: Copper alloy silver coating
Temperature Range	: -30°C to +50°C

### Diagram



Item	Description	Quantity	U/M
1	UL EVE 105° C 600V 3 × 10AWG +1 × 18AWG Black	1	EA
2	SAE J1772 Type 1 Connector 32A 240V Black		

Function	32A 240V AC	
L1 (1)	10AWG	Red
N (2)	10AWG	Black
PE (3)	10AWG	Green
	0.5mm <sup>2</sup>	Blue
CP (4)	18AWG	Blue
PP (5)	0.5mm <sup>2</sup>	Black

Dimensions : Millimetres

### Notes

- Cable : The Cord Shall Comply with UL62.  
The cable Printing Should be put on the inside maker tape  
There should be no printing on the Jacket Surface
- The EV gun shall comply with SAE J1772
- The product shall be tested 100% for all safety electrical

**Note:** Products must be installed by a qualified electrician.

## Part Number Table

Description	Length	Part Number
EV Charging Cable, J1772 TYPE 1, 32A, 240V, 5000mm	5000mm	MP009038
EV Charging Cable, J1772 TYPE 1, 32A, 240V, 7000mm	7000mm	MP009039

**Important Notice :** This data sheet and its contents (the "Information") belong to the members of the AVNET group of companies (the "Group") or are licensed to it. No licence is granted for the use of it other than for information purposes in connection with the products to which it relates. No licence of any intellectual property rights is granted. The Information is subject to change without notice and replaces all data sheets previously supplied. The Information supplied is believed to be accurate but the Group assumes no responsibility for its accuracy or completeness, any error in or omission from it or for any use made of it. Users of this data sheet should check for themselves the Information and the suitability of the products for their purpose and not make any assumptions based on information included or omitted. Liability for loss or damage resulting from any reliance on the Information or use of it (including liability resulting from negligence or where the Group was aware of the possibility of such loss or damage arising) is excluded. This will not operate to limit or restrict the Group's liability for death or personal injury resulting from its negligence. Multicomp Pro is the registered trademark of Premier Farnell Limited 2019.