


Shaft Collars, Clamp Collars, Single-Split - Type S

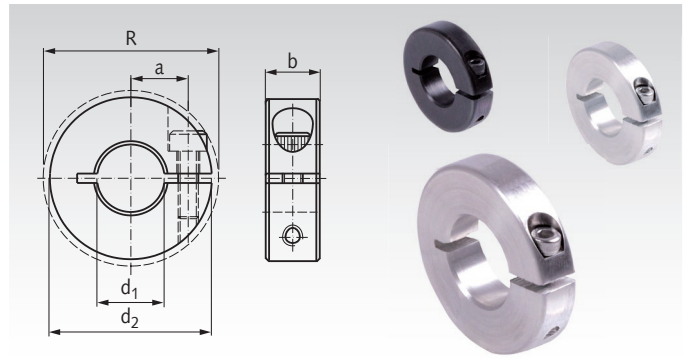
Material: Steel C45, black oxide finish, or zinc-plated, screw steel 12.9. 
Stainless steel 1.4305 (AISI 303), screw stainless A2-70.
Aluminium, screw stainless steel A2-70.

Type S: Slim version, e.g. for encoders.

The thread of the screw DIN 912 is covered with a layer of polyamide.

Tolerance b: +0.08 mm
-0.25 mm


Temperature range: -40°C to +175°C.



Ordering Details: e.g.: Product No. 62310500S, Clamp Collar S, 5mm, steel black

Product No. Type S Steel black	Product No. Type S Steel zinc-plated	Product No. Type S Stainless	Product No. Type S Aluminium	d ₁ mm	d ₂ mm	R _{max.} mm	b mm	Screw DIN912	a mm	Weight Steel g	Weight Aluminium g
623 105 00S	623 881 05S	623 991 05S	623 661 05S	5	25	27,3	6	M2,5 x 8	10,25	20,3	7,9
623 106 00S	623 881 06S	623 991 06S	623 661 06S	6	25	27,3	6	M2,5 x 8	10,25	19,8	7,8
623 108 00S	623 881 08S	623 991 08S	623 661 08S	8	25	27,3	6	M2,5 x 8	10,25	18,8	7,4
623 110 00S	623 881 10S	623 991 10S	623 661 10S	10	25	27,3	6	M2,5 x 8	10,25	17,7	7,0
623 112 00S	623 881 12S	623 991 12S	623 661 12S	12	25	27,3	6	M2,5 x 8	10,25	16,2	6,4
623 114 00S	623 881 14S	623 991 14S	623 661 14S	14	25	27,3	6	M2,5 x 8	10,25	14,4	5,8
623 115 00S	623 881 15S	623 991 15S	623 661 15S	15	34	34,0	8	M3 x 10	12	42,5	16,3
623 116 00S	623 881 16S	623 991 16S	623 661 16S	16	34	34,0	8	M3 x 10	12	40,9	15,8
623 120 00S	623 881 20S	623 991 20S	623 661 20S	20	35	37,3	8	M3 x 10	14,75	37,8	14,5
623 124 00S	623 881 24S	623 991 24S	623 661 24S	24	45	48,0	10	M4 x 12	19	84,5	31,9
623 125 00S	623 881 25S	623 991 25S	623 661 25S	25	45	48,0	10	M4 x 12	19	80,6	30,8
623 130 00S	623 881 30S	623 991 30S	623 661 30S	30	60	63,8	12	M5 x 14	26	189,8	70,7
623 132 00S	623 881 32S	623 991 32S	623 661 32S	32	60	63,8	12	M5 x 14	26	181,1	67,5
623 135 00S	623 881 35S	623 991 35S	623 661 35S	35	60	63,8	12	M5 x 14	26	166,6	62,4
623 138 00S	623 881 38S	623 991 38S	623 661 38S	38	60	63,8	12	M5 x 14	26	150,5	56,9
623 140 00S	623 881 40S	623 991 40S	623 661 40S	40	60	63,8	12	M5 x 14	26	139,0	52,9

Shaft Collars, Clamp Collars, Double-Split - Type S

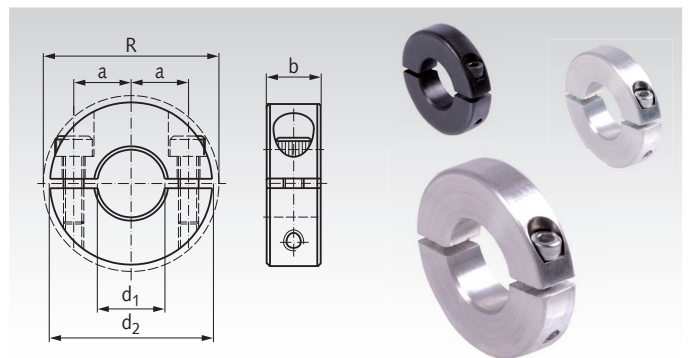
Material: Steel C45, black oxide finish, or zinc-plated, screws steel 12.9. 
Stainless steel 1.4305 (AISI 303), screws stainless A2-70.
Aluminium, screws stainless steel A2-70.

Type S: Slim version, e.g. for encoders.

The threads of the screws DIN 912 are covered with a layer of polyamide.

Tolerance b: +0.08 mm
-0.25 mm

Temperature range: -40°C to +175°C.



Ordering Details: e.g.: Product No. 62340500S, Clamp Collar S, 5mm, Steel black

Product No. Type S Steel black	Product No. Type S Steel zinc-plated	Product No. Type S Stainless	Product No. Type S Aluminium	d ₁ mm	d ₂ mm	R _{max.} mm	b mm	Screw DIN912	a mm	Weight Steel g	Weight Aluminium g
623 405 00S	623 884 05S	623 994 05S	623 664 05S	5	25	27,3	6	M2,5 x 8	10,25	19,7	8,2
623 406 00S	623 884 06S	623 994 06S	623 664 06S	6	25	27,3	6	M2,5 x 8	10,25	19,2	8,1
623 408 00S	623 884 08S	623 994 08S	623 664 08S	8	25	27,3	6	M2,5 x 8	10,25	18,3	7,7
623 410 00S	623 884 10S	623 994 10S	623 664 10S	10	25	27,3	6	M2,5 x 8	10,25	17,1	7,3
623 412 00S	623 884 12S	623 994 12S	623 664 12S	12	25	27,3	6	M2,5 x 8	10,25	15,5	6,7
623 414 00S	623 884 14S	623 994 14S	623 664 14S	14	25	27,3	6	M2,5 x 8	10,25	13,7	6,1
623 415 00S	623 884 15S	623 994 15S	623 664 15S	15	34	34,0	8	M3 x 10	12	39,9	16,9
623 416 00S	623 884 16S	623 994 16S	623 664 16S	16	34	34,0	8	M3 x 10	12	38,6	16,3
623 420 00S	623 884 20S	623 994 20S	623 664 20S	20	35	37,3	8	M3 x 10	14,75	36,3	15,1
623 424 00S	623 884 24S	623 994 24S	623 664 24S	24	45	48,0	10	M4 x 12	19	81,4	33,0
623 425 00S	623 884 25S	623 994 25S	623 664 25S	25	45	48,0	10	M4 x 12	19	78,6	32,0
623 430 00S	623 884 30S	623 994 30S	623 664 30S	30	60	63,8	12	M5 x 14	26	185,2	72,7
623 432 00S	623 884 32S	623 994 32S	623 664 32S	32	60	63,8	12	M5 x 14	26	175,6	69,5
623 435 00S	623 884 35S	623 994 35S	623 664 35S	35	60	63,8	12	M5 x 14	26	160,4	64,4
623 438 00S	623 884 38S	623 994 38S	623 664 38S	38	60	63,8	12	M5 x 14	26	145,4	58,9
623 440 00S	623 884 40S	623 994 40S	623 664 40S	40	60	63,8	12	M5 x 14	26	133,8	54,9