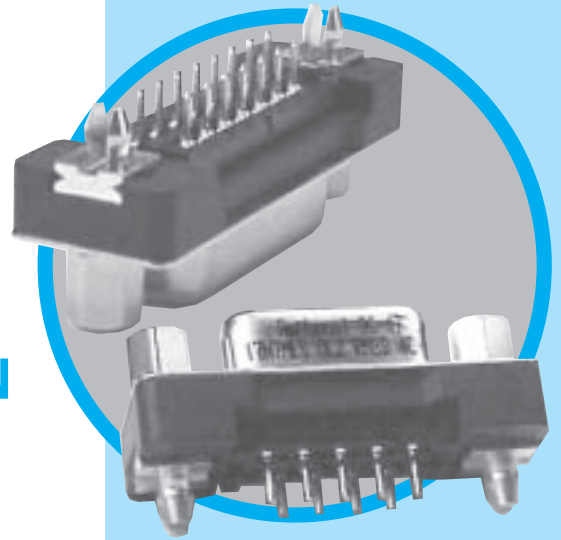


# HTN

D-Sub connectors - Stamped and Formed Contacts

## STRAIGHT PCB TERMINATION HIGH TEMPERATURE CONNECTORS



CHARACTERISTICS

### Specifications

- Connectors according to MIL C24308
- **UL File:** E149426

Materials and Platings	
<b>Shell</b>	Steel, tin over nickel plating
<b>Insulator</b>	Glass-filled PA9T thermoplastic, UL 94V-0
<b>Contacts</b>	Brass, selective gold plating
<b>Boardlock</b>	Brass, tin over nickel plating
<b>Screwlock</b>	Brass, tin over nickel plating

Electrical Data	
<b>Current rating</b>	5A
<b>Voltage rating</b>	600V AC/rms 50Hz
<b>Withstanding voltage</b>	1000V AC/rms 50Hz for one minute
<b>Insulation resistance</b>	5000MΩ
<b>Contact resistance</b>	10mΩ max

Climatic Data	
<b>Operating temperature</b>	-55°C to +150°C, resist to short term soldering at 260°C for 20sec.

Mechanical Data		
<b>Mating and unmating force</b>		
Unit: kg ( lb)		
No. of Cts	Mate (max)	Unmate (min)
9	3.05 (6.74)	0.36 (0.79)
15	5.09 (11.24)	0.46 (1.01)
25	8.44 (18.66)	0.81 (1.8)
37	12.51 (27.65)	1.1 (2.47)
<b>Standard plating thicknesses</b>		
• Gold flash		
• 0.4 μm (15μ") Gold		
• 0.76 μm (30μ") Gold		

DESCRIPTION

The Amphenol HTN series allows the use of through hole connectors with reflow soldering process. This series gives you Amphenol's high standards of quality and reliability, to meet all of your commercial requirements.

*Economical  
straight PCB,  
high temperature  
connectors*

APPLICATIONS

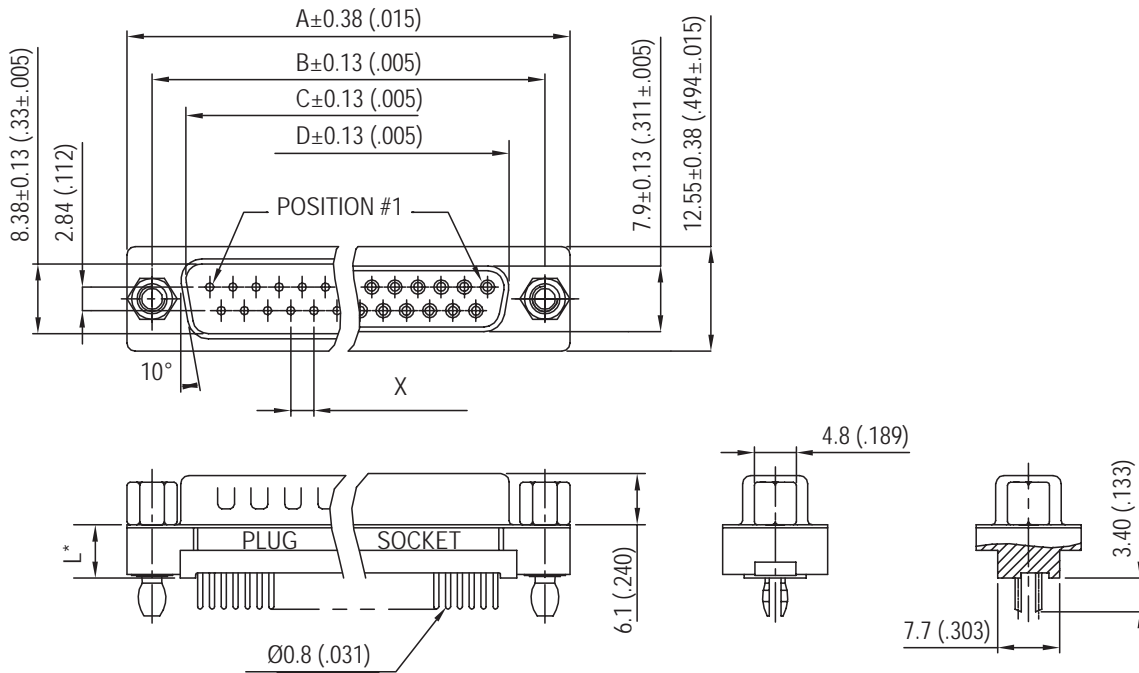
- Industrial
- Telecom
- Any industry standard I/O connections



**Amphenol**

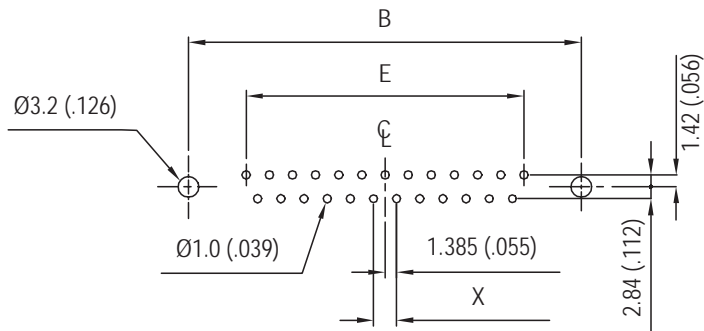
HTN / E15

## Shell size dimensions



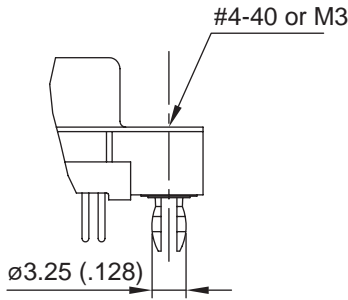
\*see chart "how to order"

### Recommended P.C.B. Layout

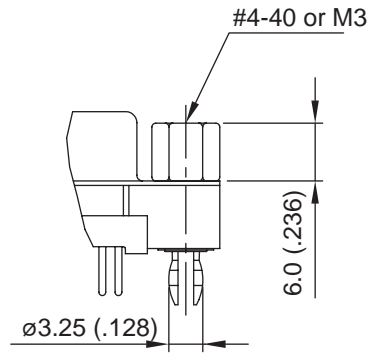


Nb OF CONTACTS	DIMENSIONS mm (inch)					
	A	B	C	D	E	X
9	30.84 (1.21)	24.99 (.984)	16.92 (.666)	16.26 (.640)	11.08 (.436)	2.74
15	39.24 (1.54)	33.32 (1.31)	25.25 (.994)	24.56 (.967)	19.39 (.763)	2.74
25	53.04 (2.09)	47.04 (1.85)	38.96 (1.53)	38.38 (1.51)	33.24 (1.31)	2.77
37	69.34 (2.73)	63.50 (2.50)	55.42 (2.18)	54.76 (2.16)	49.86 (1.96)	2.77

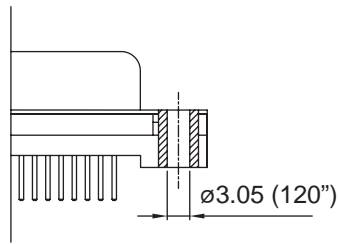
## Panel mounting option



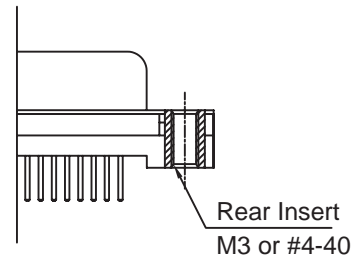
**Boardlock with Threaded Insert**  
**RM5**



**Boardlock with Front Screwlock**  
**RM8**



**Clear Hole**  
**Blank**



**Rear Insert Threaded**  
**H or G**

## How to order

