

Fully Insulated Quick Female Disconnect



Specifications:

Connector Type	: Female Disconnect
Insulator Colour	: Red
Termination Method	: Crimp
Stud/Tab Size	: 1/4"
Wire Size	: 20AWG to 18 AWG
Contact Material	: Copper
Contact Plating	: Tin

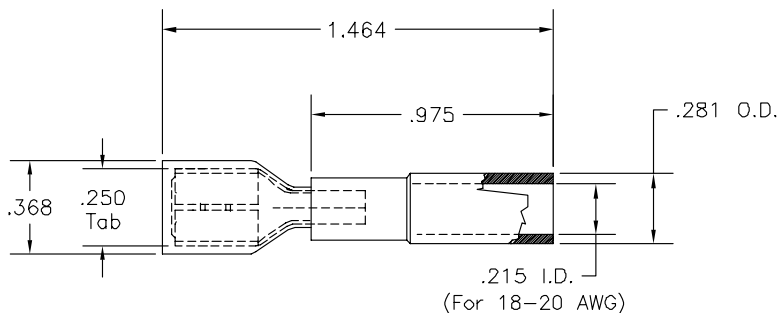
Bare Part:

1. Material: Nylon insulated copper
2. Finish: Electro-Tin Plate
3. Butted Seam

Tubing:

1. Multiple wall polyolefin
2. Meltable, integral inner wall
3. Shrink temperature : 275° F (135°C)
4. Cont. Operating Temperature : -67°F (-55°C) to 230°F (110°C)
5. Tensile strength : 2,200 PSI

6. Ultimate elongation : 500%
7. Secant modulus, 2% : 27,000 PSI
8. Specific Gravity : 1.00 Max
9. Longitudinal Change : 5%
10. Dielectric Strength : 1000 V/MIL
11. Volume Resistivity : 1015 Ω-cm
12. Non-corrosive
13. Water absorption : < 0.1%
14. Tubing Color : Red
15. Packs of 25



Dimensions : Inches

Part Number Table

Description	Part Number
Fully Insulated Quick Female Disconnect	1677

Important Notice : This data sheet and its contents (the "Information") belong to the members of the Premier Farnell group of companies (the "Group") or are licensed to it. No licence is granted for the use of it other than for information purposes in connection with the products to which it relates. No licence of any intellectual property rights is granted. The Information is subject to change without notice and replaces all data sheets previously supplied. The Information supplied is believed to be accurate but the Group assumes no responsibility for its accuracy or completeness, any error in or omission from it or for any use made of it. Users of this data sheet should check for themselves the Information and the suitability of the products for their purpose and not make any assumptions based on information included or omitted. Liability for loss or damage resulting from any reliance on the Information or use of it (including liability resulting from negligence or where the Group was aware of the possibility of such loss or damage arising) is excluded. This will not operate to limit or restrict the Group's liability for death or personal injury resulting from its negligence. Multicomp is the registered trademark of the Group. © Premier Farnell plc 2012.

www.element14.com
www.farnell.com
www.newark.com

