

Global Change Notification (GCN)

Product Family

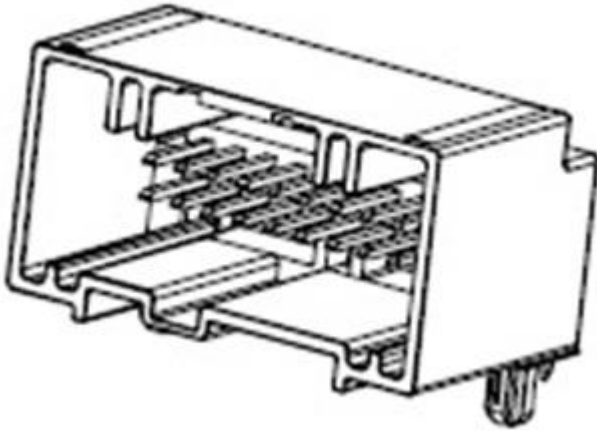
GCN Number

Series

Date Issued

Reason For Change

Change Description



Series image - for reference only

Part Numbers Affected

Reason For Short Notice Exception

Assessment Of Change (How Product Will Be Qualified & Validated)

Internal Molex Qualification Date (Planned Date Information Available)

Sample Availability Date (Changed Part)

Date of Implementation

Method of Identifying Change

Recommended Replacement Parts

Last Time Buy Date for Obsolete Parts

Last Time Ship Date for Obsolete Parts

WVTRP

| Contact | Name | E-mail | Phone Number |
|---|---|----------------------------|-----------------|
| Sales Engineer | Please refer to e-mail message for your local sales engineer. | | |
| Regional Coordinator (Japan and Korea) | Naomi Maruyama | Naomi.Maruyama@molex.co.jp | +81-46-265-2416 |
| Regional Coordinator (Asia- excluding Japan and Korea) | Allen Yu | Allen.Yu@molex.com | +886-2-66251751 |
| Regional Coordinator (Europe, Middle East, Africa) | Agnes Mburu | Agnes.Mburu@molex.com | +31-40-295-8271 |
| Regional Coordinator (Americas) | Maria Sullivan | Maria.Sullivan@molex.com | 1-727-322-4352 |

Molex, Inc.
 2222 Wellington Court
 Lisle, IL 60532
 TEL: 630-969-4747
www.molex.com