

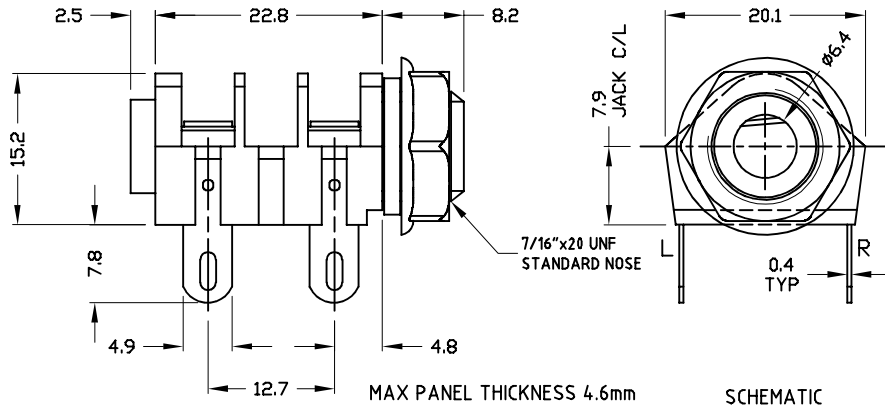
CLIFF

GOLD SWITCHED JACK SOCKETS

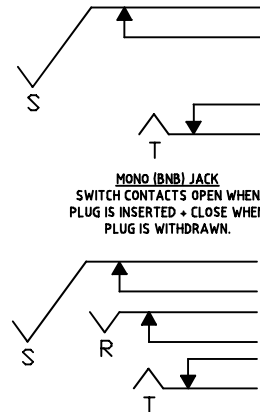
6.35mm JACK SOCKET



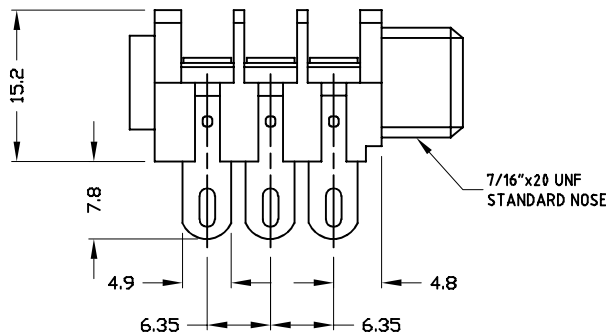
CL11607



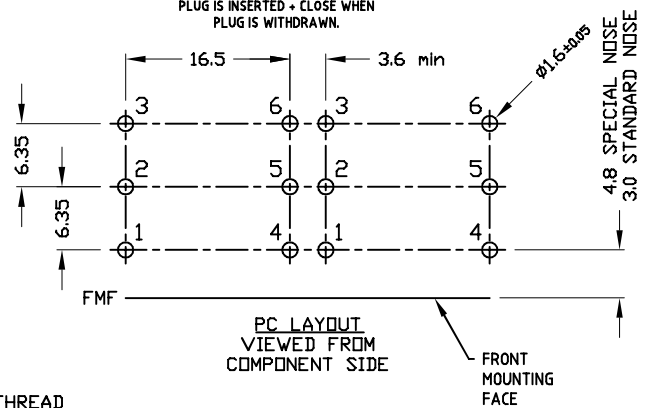
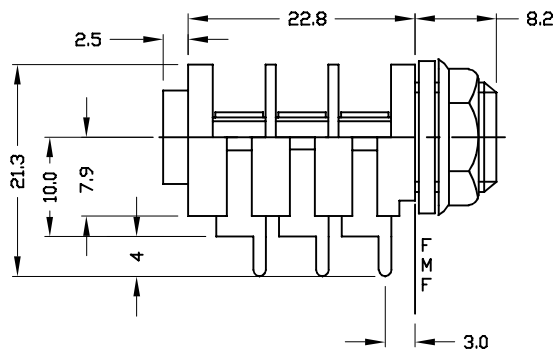
SCHMATIC



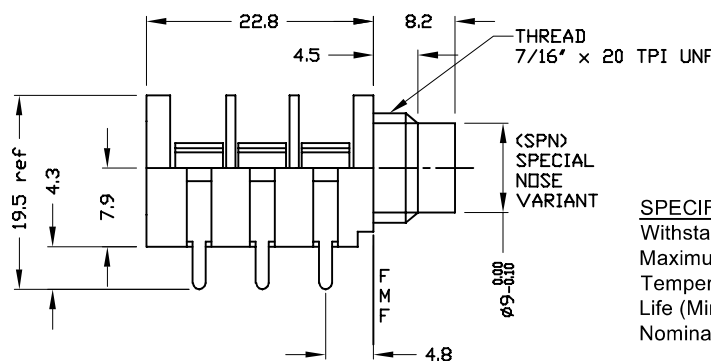
CL12207



CL12327



CL12345



SPECIFICATION

Withstand voltage:	2000V DC Min.
Maximum Current:	5A
Temperature Rating:	-10° C to +70° C
Life (Minimum):	10,000+ Operations
Nominal Contact Resistance:	<50mΩ

DESCRIPTION

CL11607 - Jack Socket Mono S2/BNB Solder Tag

CL12207 - Jack Socket Stereo S2/BBB Solder Tag

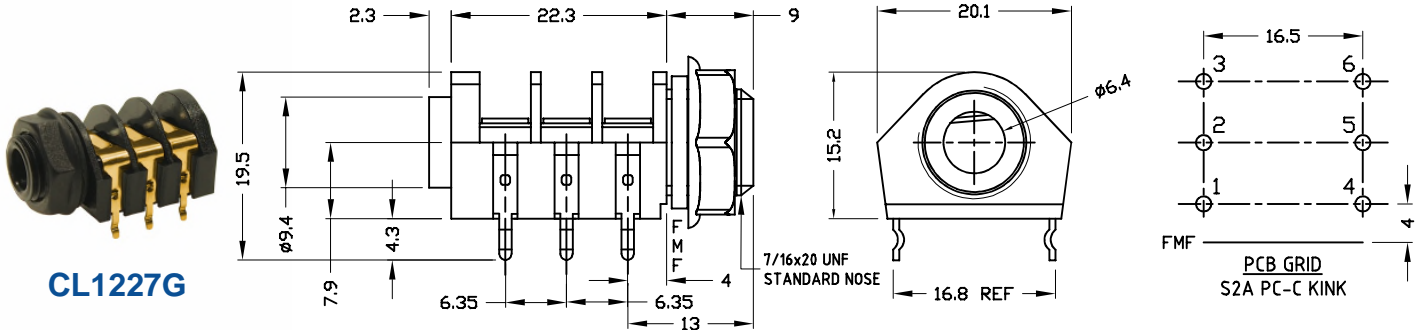
CL12327 - Jack Socket Stereo S2/BBB PC Tag Type A.

CL12345 - Jack Socket Stereo S2/BBB Special Nose PC Tag Type C. No nut or washers.

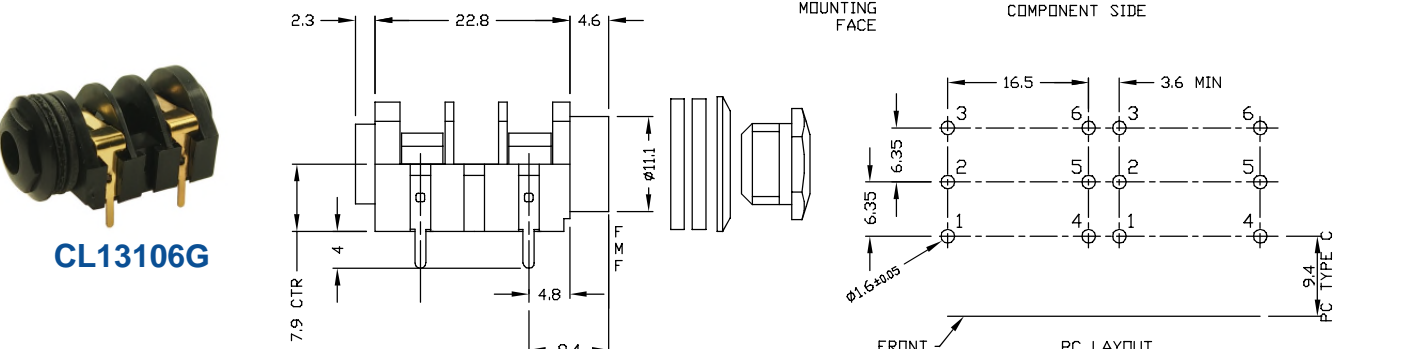
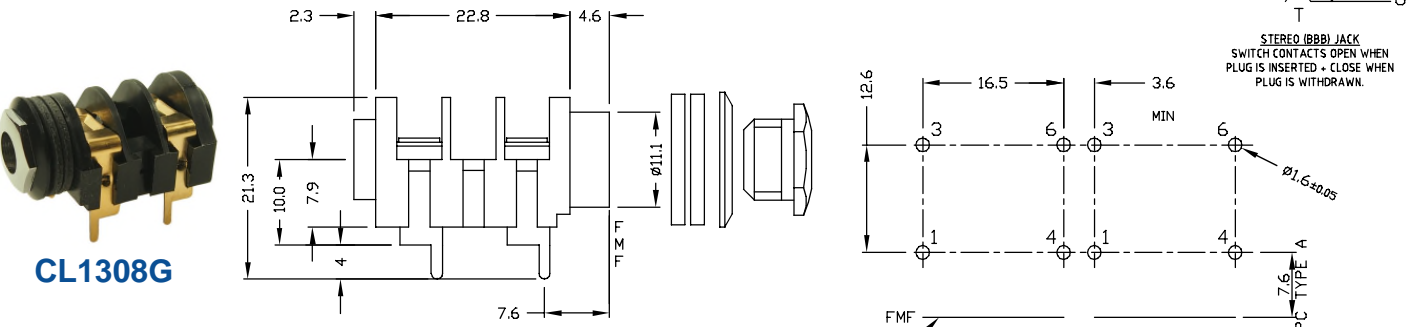
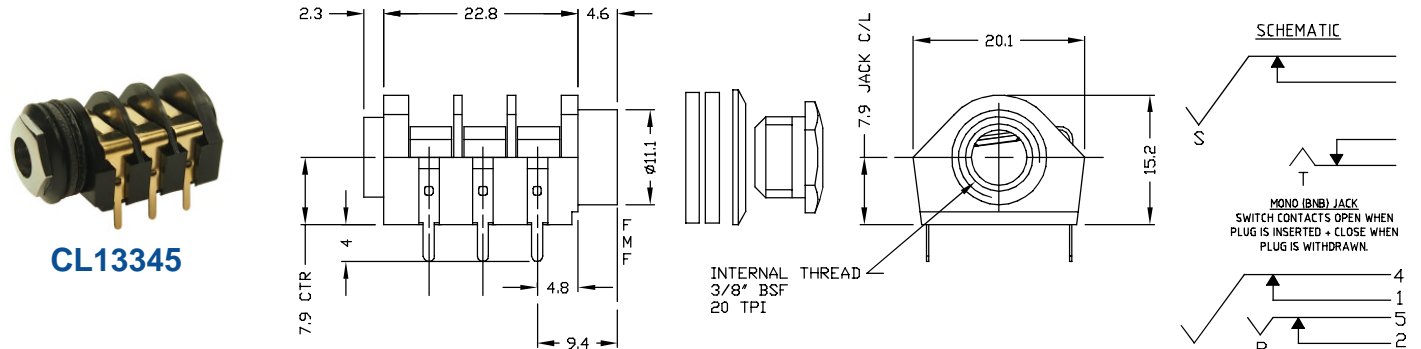
CLIFF

GOLD SWITCHED JACK SOCKETS

6.35mm JACK SOCKET

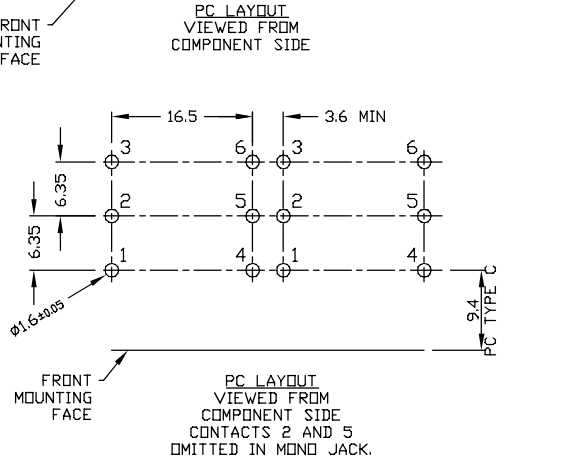


6.35mm JACK SOCKET



DESCRIPTION

- CL1227G** - Jack Socket Stereo S2A/BBB PC tag type C Kinked
- CL13345** - Jack Socket Stereo S4/BBB PC tag type C
- CL1308G** - Jack Socket Mono S4/BNB PC tag type A
- CL13106G** - Jack Socket Mono S4/BNB PC tag type C



CLIFF

GOLD SWITCHED JACK SOCKETS

JACK SOCKET ACCESSORIES



FCR14422 - EMI / RFI SCREEN FOR 6.35mm JACK SOCKETS



CL14218 - BLACK COMBINED NUT/BEZEL FOR S4 TYPE JACK SOCKET



CL14218GY - GREY COMBINED NUT/BEZEL FOR S4 TYPE JACK SOCKET



CL14218R - RED COMBINED NUT/BEZEL FOR S4 TYPE JACK SOCKET



CL1396 - RECESS PLATE TO ALLOW FLUSH MOUNTING OF 6.35mm JACK SOCKETS

