

carbide-coated grip jaw, mobile

accessories for ref. no. 28761001-002

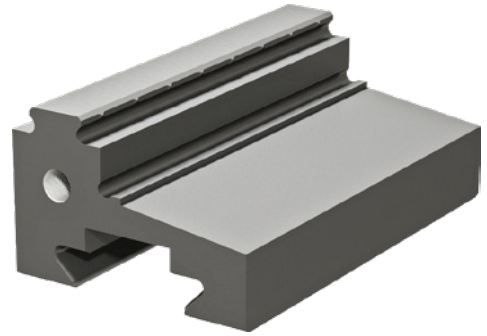
ATORN[®]

Application

for 5-sided machining, ensuring excellent accessibility to the workpiece

Version

- for rectangular workpieces (saw cut) $// \leq 0.5$ mm
- minimum lost clamping edge of 3 mm
- positive locking thanks to tips that penetrate the material without the need for preliminary shaping
- integrated gripper row ensures a rigid design that protects against vibrations, especially in parts clamped vertically
- additional clamping surfaces, polished on two sides
- suitable for a material strength of up to 1000 N/mm²



Art. no.	28761 021
Jaws width	70 mm
Min./max. clamping width	9-84 mm
Min./max. clamping width 2	42-149 mm

EAN-Code

4050293534344