

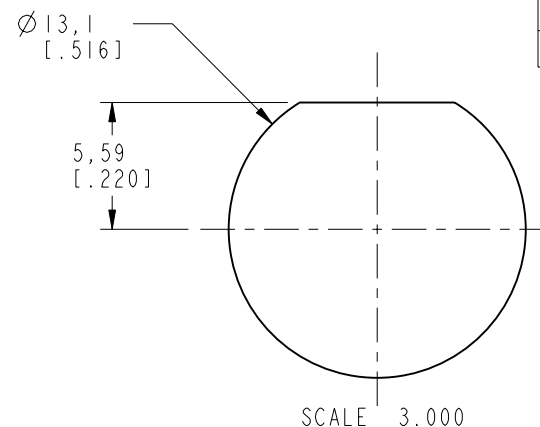
NOTES:

1. MATERIALS AND FINISHES:
 BODY - BRASS, SILVER PLATING
 CONTACT - BERYLLIUM COPPER, SILVER PLATING
 INSULATOR - PTFE
2. ELECTRICAL:
 A. IMPEDANCE: 50 OHM
 B. DIELECTRIC WITHSTANDING VOLTAGE: 500 VRMS, MIN.
3. MECHANICAL:
 A. DURABILITY: 500 CYCLES MIN.
 B. TEMPERATURE RANGE: -65° C TO +165° C
4. PACKAGING:
 A. QUANTITY: SINGLE PACK
 B. MARKING: BAG TO BE MARKED
 "AMPHENOL RF, 31-3220, AND DATE CODE"
5. MAX. PANEL THICKNESS=6.98mm

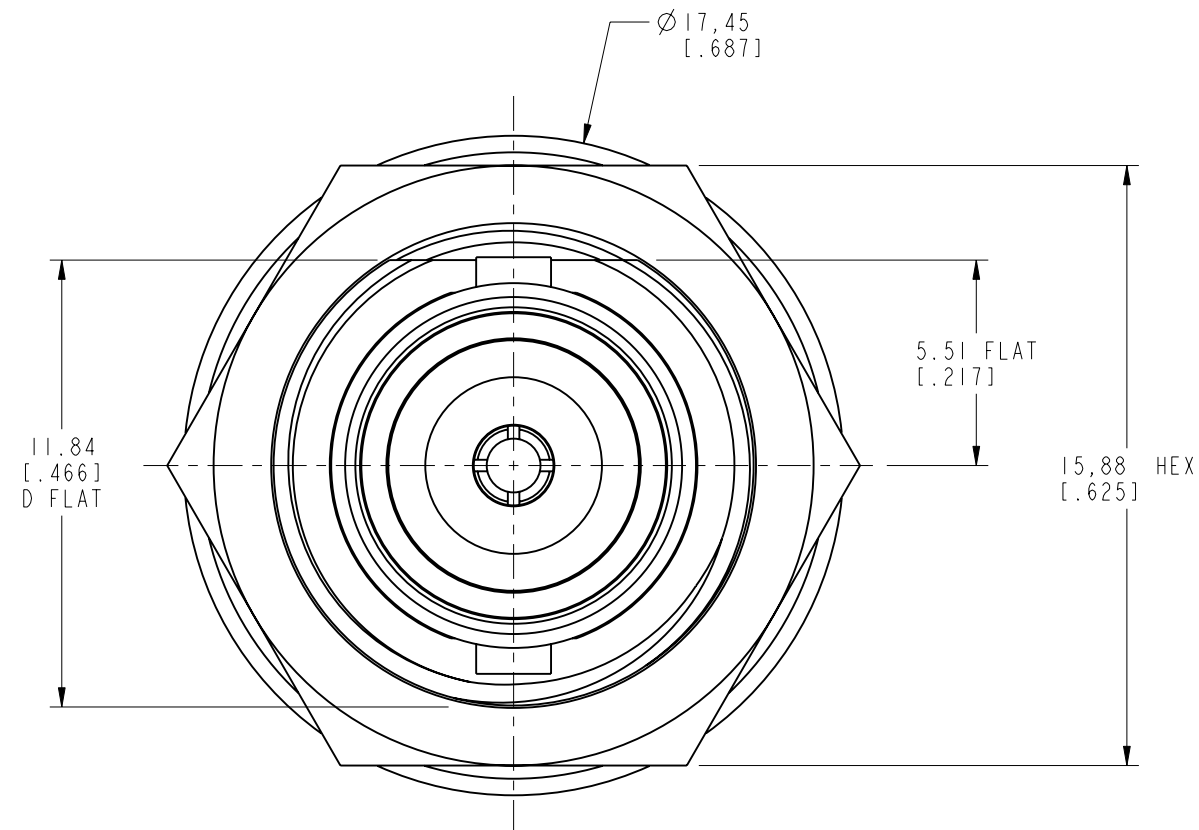
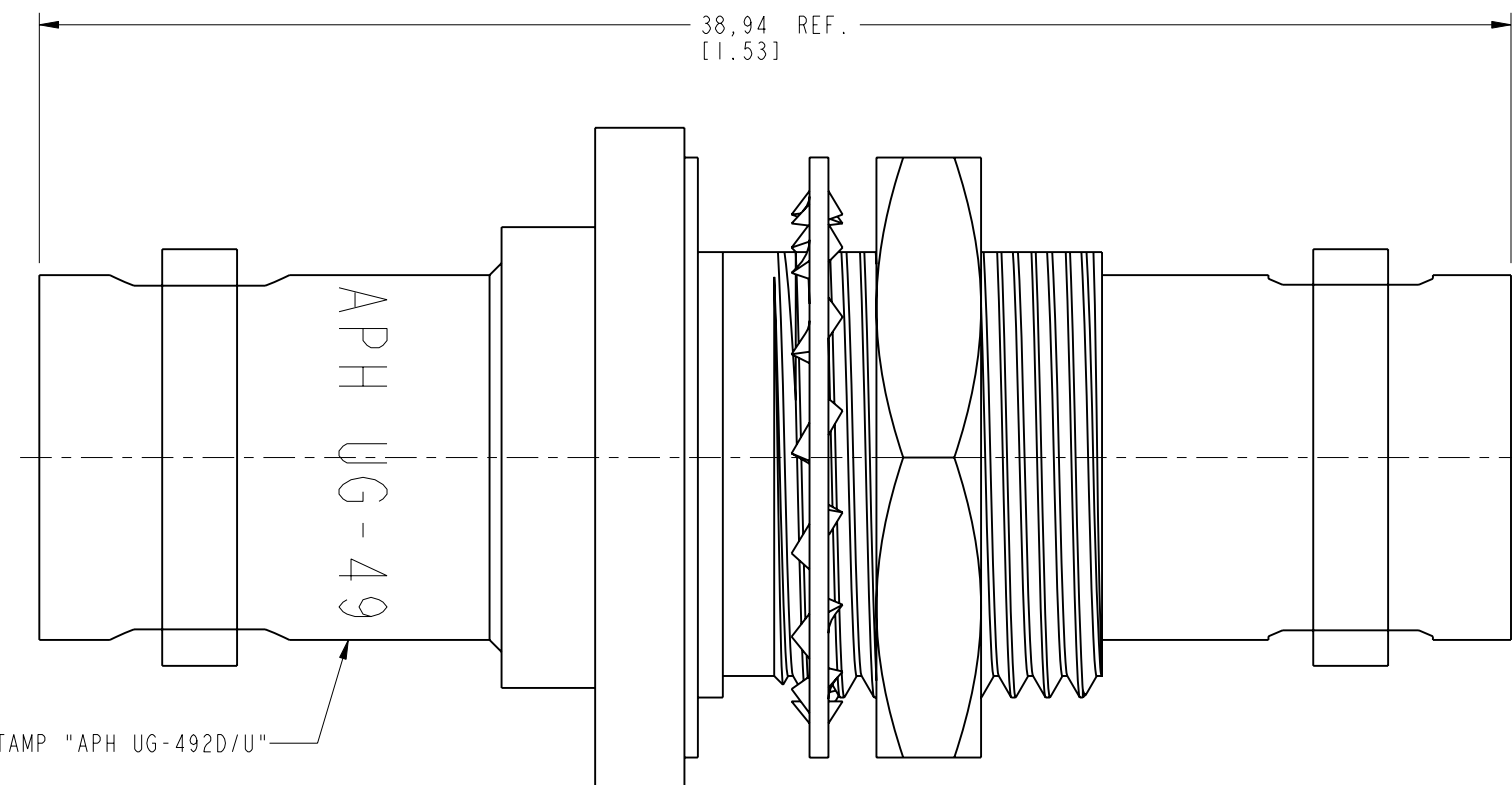
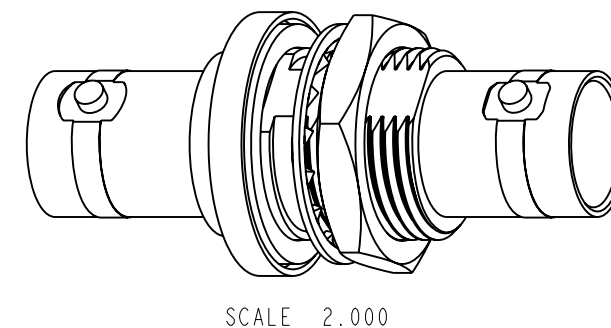
THIRD ANGLE PROJ.

REVISIONS

REV	DESCRIPTION	DATE	ECO	APPR
--	RELEASE TO MFG.	--	--	
W	REDRAWN IN PRO-E, ADD COD	25-Aug-11	47675	SH
Y	CONTACTS WERE CHANGED \RD-DMI4091701R3	26-Sep-14	49594	SH



**RECOMMENDED
MOUNTING HOLE
DIMENSIONS**



CUSTOMER OUTLINE DRAWING

ALL OTHER SHEETS ARE FOR INTERNAL USE ONLY

UNLESS OTHERWISE SPECIFIED, DIMENSIONS ARE IN METRIC AND TOLERANCES ARE: <0.5mm ±0.05mm 0.5 - 6mm ±0.1mm 6 - 30mm ±0.2mm 30 - 120mm ±0.3mm ANGLES ±1°	MATERIAL	DRAWN R. MAO	DATE 31-May-11	TITLE BNC ADAPTOR PRESSURIZED UG-492D/U	Amphenol RF www.amphenolrf.com
	REFERENCE EAR # AND	ENGINEER D ROYCE	DATE 01-Jul-09		
NOTICE - These drawings, specifications, or other data (1) are, and remain the property of Amphenol corp. (2) must be returned upon request; and (3) are confidential and not to be disclosed to any person other than those to whom they are given by Amphenol Corp. the furnishing of these drawings, specifications, or other data by Amphenol Corp., or to any other person to anyone for any purpose is not to be regarded by implication or otherwise in any manner licensing, granting rights to permitting such holder or any other person to manufacture, use or sell any product, process or design, patented or otherwise, that may in any way be related to or disclosed by said drawings, specifications, or other data.	CONFIGURATION LEVEL: <input type="checkbox"/> <input type="checkbox"/> <input type="checkbox"/>	APPROVED S. HSIEH	DATE 31-May-11	SCALE: 5.0:1.0 SHEET 2 OF 2	ITEM NO. 31-3220
	FINISH	CAD FILE	DWG SIZE B	REV Y	PART NO. 31-3220