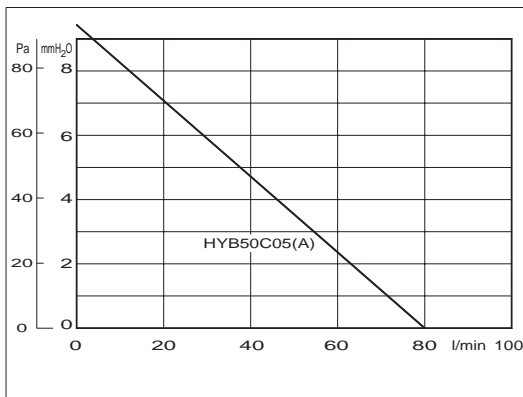


HYB50C05, HYB50C05A BRUSHLESS, HIGH RELIABILITY FAN

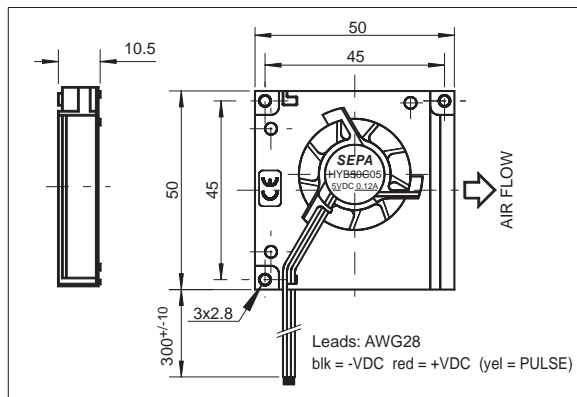
AUTOMOTIVE FAN



AIR PERFORMANCE DIAGRAM



SHAPE AND DIMENSION



PERFORMANCE

CE	HYB50C05	HYB50C05A
Operating Voltage [V]	4.5 ... 5.0 ... 5.5	
Operating Current [mA]	120	
Max. Start Current [mA]	340	
Max. Air Flow [l/min - m ³ /h]	80 - 4.8	
Max. Air Pressure [mmH ₂ O - Pa]	9.5 - 93	
Noise @ 1m (typ) [dB(A)]	34	
Operating Temperature [°C]	-10/+70(80)	
Rotor Speed [RPM]	4900	
Life Expectancy @20°C [L ₁₀ /MTBF; h]	95000/280000	
Bearing System	ball bearings ZZ	
Weight [g]	21	
Pulse	-	4 Pulses / Rev.
Packing Quantity [PCs]	50-500	

This **SEPA**[®] turbo fan is suitable for industrial use and has a remarkable air flow performance despite its extremely small dimensions. Due to the linear air performance characteristic, the fan is applicable for different uses. Air intake could be on top or bottom, the outlet is on one side. It is permanently protected electrically against reverse polarity, blocking and thermal overloading. Due to the low rotor weight and precision balancing, it is virtually vibration-free. It is also insensitive to shock.

Further features of this fan are its extremely robust and torsionally rigid housing made from aluminium alloy, ball bearings with narrow tolerances, of special steel, polyester-based PCB (UL E44247) and absolute reliability due to 100% burn-in.

Technical changes without notice • 52/04

• Alarm Signal (Optional)

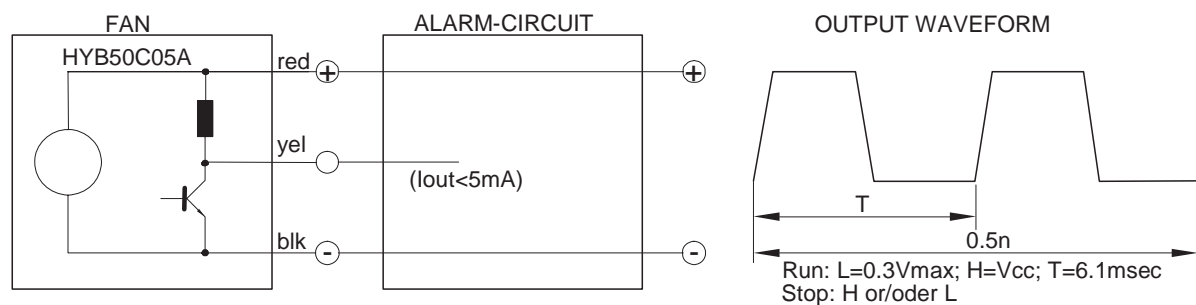
The **SEPA**® HYB50C05A includes a speed impulse output, which enables monitoring the correct function of the fan. An alarm-board is available on request.

The pulse is like a rectangular wave, the frequency correlates to 4 x rotor speed. At blocked rotor the output signal could be L ($\leq 0.6V$) or H ($V_{cc} - 1V$).

IMPORTANT: The pulse output is *not* protected against short circuit and must not connect to GND or Vcc without series-resistor. A pull-up-resistor is not permitted.

Do not connect not used pulse output to GND or Vcc (insolate).

The HYB50C05(A) has tinned lead wire ends (without connector).



IMPORTANT: Only hold the fan at the outer edge and do not touch the impeller!

• Accessories:

CONNECTOR on request

• Order information:

HYB50C05	SEPA fan, 50x50x10.5mm, 5VDC, ball bearings, CE	115031000
HYB50C05A	SEPA Lüfter, 50x50x10.5mm, 5VDC, pulse, ball bearings, CE	115031010