

touch protection cover for 3RU21 on the infeed side Size S00 Main circuit: ring cable lug Connection Contactor overload relay



product brand name	SIRIUS
product designation	terminal cover
design of the product	shock protection for ring cable lug connection
Substance Prohibition (Date)	10/01/2009

Ambient conditions

ambient temperature	
<ul style="list-style-type: none"> during operation 	-20 ... +60 °C
<ul style="list-style-type: none"> during storage 	-55 ... +80 °C

Installation/ mounting/ dimensions

fastening method	clip-on
height	14 mm
width	45 mm
depth	9 mm

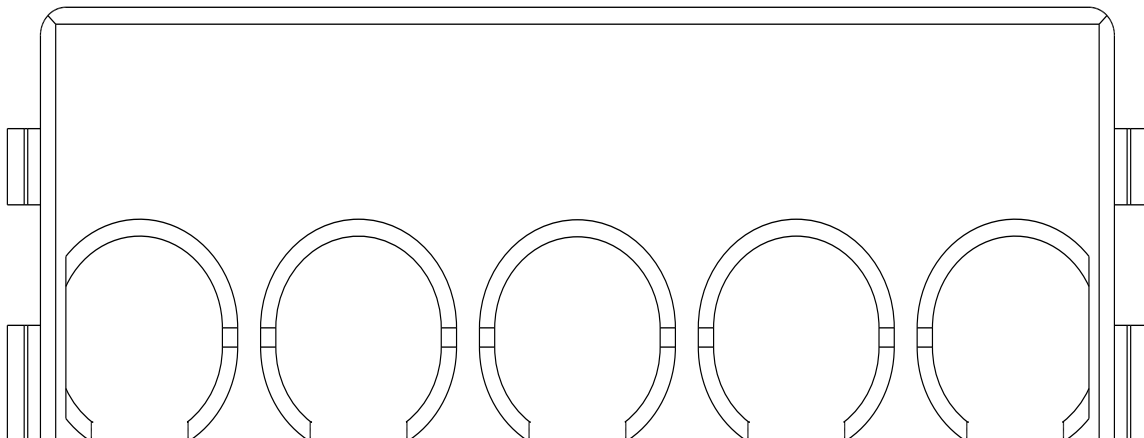
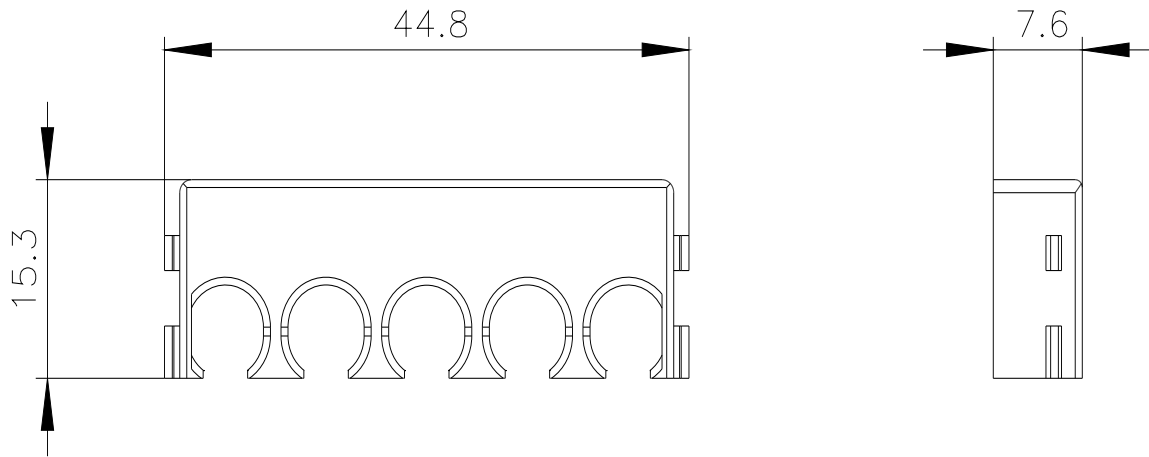
Approvals Certificates

General Product Approval	Declaration of Conformity	Test Certificates	Marine / Shipping
Confirmation   		Type Test Certificates/Test Report	

Marine / Shipping	other
  	Confirmation

Further information

Siemens has decided to exit the Russian market (see here).
<https://press.siemens.com/global/en/pressrelease/siemens-wind-down-russian-business>
 Siemens is working on the renewal of the current EAC certificates.
 Please contact your local Siemens office on the status of validity of the EAC certification if you intend to import or offer to supply these products to an EAC relevant market (other than the sanctioned EAEU member states Russia or Belarus).
Information on the packaging
<https://support.industry.siemens.com/cs/ww/en/view/109813875>
Information- and Downloadcenter (Catalogs, Brochures,...)
<https://www.siemens.com/ic10>
Industry Mall (Online ordering system)
<https://mall.industry.siemens.com/mall/en/en/Catalog/product?mlfb=3RU2916-3BJ21>
Cax online generator
<http://support.automation.siemens.com/WW/CAXorder/default.aspx?lang=en&mlfb=3RU2916-3BJ21>



last modified:

1/18/2021 