

# DTS24W15-18PA [V001] ✓ ACTIVE

DEUTSCH | DEUTSCH 38999, DEUTSCH 38999 Series III

TE Internal #: YDTS24W15-18PAV001

Standard Circular Connectors, Cable-to-Panel, 18 Position,  
Sealable, Wire & Cable, Signal, Panel Mount, Cadmium, O.D.,  
DEUTSCH 38999 Series III

[View on TE.com >](#)



Connectors > Circular Connectors > Standard Circular Connectors > Jam Nut: D38999, 15-18 Insert



Connector System: **Cable-to-Panel**

Number of Positions: **18**

Sealable: **Yes**

Connector & Contact Terminates To: **Wire & Cable**

Contact Current Rating (Max): **7.5 A**

[All Jam Nut: D38999, 15-18 Insert \(64\)](#)

## Features

### Product Type Features

Product Type	Connector
Assembly Type	Electrical Connector
Connector System	Cable-to-Panel
Sealable	Yes
Connector & Contact Terminates To	Wire & Cable
Circular Connector Type	Receptacle
Shell Type	Jam Nut Receptacle

### Configuration Features

Keying & Polarized Position Locations	A
Factory Installed Backshell	No
Keying	Keyway Polarization A
Number of Positions	18
Number of Power Positions	0
Number of Signal Positions	18
Contacts Preloaded	No

### Electrical Characteristics



Voltage	1800 Vrms
---------	-----------

Operating Voltage	600 VAC
-------------------	---------

### Body Features

Feedthrough Type	No
------------------	----

Environmental Protection Type	Elastomer Sealed
-------------------------------	------------------

Entry Style	Rear Insertion
-------------	----------------

Peripheral Seal Material	Silicone
--------------------------	----------

Environmental Protection	Yes
--------------------------	-----

Weight	28.8 g[.0636 lb]
--------	------------------

O-Ring Material	Silicone
-----------------	----------

Fluid Type	Coolanol 25, M2-V, MIL-DTL-5624 (JP-4,JP-5), MIL-DTL-83133 (JP-8), MIL-PRF-23699, MIL-PRF-5606, MIL-PRF-7808, SEA-AMS1424 Type I
------------	--

Shell Plating Material	Cadmium, O.D.
------------------------	---------------

Shell Base Material	Aluminum 6061-T6
---------------------	------------------

Circular Connector Insulation Material Type	Hard Dielectric/Silicone
---	--------------------------

Hermetically Sealed	No
---------------------	----

### Contact Features

Contact Quantity (Size 20)	18
----------------------------	----

Contact Current Rating (Max)	7.5 A
------------------------------	-------

Reverse Gender	No
----------------	----

Contact Layout Arrangement	15 – 18
----------------------------	---------

Circular Connector Contact Type	Pin
---------------------------------	-----

### Mechanical Attachment

Mating Retention Type	Triple Start Threaded
-----------------------	-----------------------

Panel Mount Feature	With
---------------------	------

Panel Mount Feature Type	Jam Nut
--------------------------	---------

Connector Mounting Type	Panel Mount
-------------------------	-------------

Polarization Code	A
-------------------	---

Mating Alignment Type	Keyed
-----------------------	-------

Mating Retention	With
------------------	------

### Housing Features

Circular Connector Shell Size	15
-------------------------------	----



Alignment Keyed

Clocking

### Dimensions

Panel Thickness

1.58 – 3.2 mm [.062 – .126 in]

Accepts Wire Insulation Diameter Range

1.02 – 2.11 mm [.04 – .083 in]

Assembly Length

32.5 mm [1.28 in]

Wire Size

.2 – .52 mm<sup>2</sup>

### Usage Conditions

Fluid Resistance

Yes

Operating Temperature Range

-65 – 200 °C [-85 – 392 °F]

### Operation/Application

Durability Rating

500 Cycles

Circuit Application

Signal

Shielded

Yes

### Packaging Features

Packaging Quantity

1

### Other

Position Locations Omitted

All

## Product Compliance

For compliance documentation, visit the product page on [TE.com](https://www.te.com)>

EU RoHS Directive 2011/65/EU

Not Compliant

EU ELV Directive 2000/53/EC

Not Compliant

China RoHS 2 Directive MIIT Order No 32, 2016

Restricted Materials Above Threshold

EU REACH Regulation (EC) No. 1907/2006

Current ECHA Candidate List: JUNE 2022 (224)

Candidate List Declared Against: JUNE 2022 (224)

SVHC &gt; Threshold:

Cd (2.6% in Plating)

Pb (1.2% in Pin Copper Alloy)

**Article Safe Usage Statements:**

Use personal protective equipment as required. Do not eat, drink or smoke when using this product. Wash thoroughly after handling. Recycle if possible and dispose of the article by following all applicable governmental regulations relevant to your geographic location.

Halogen Content

Not Yet Reviewed for halogen content

Solder Process Capability

Not reviewed for solder process capability

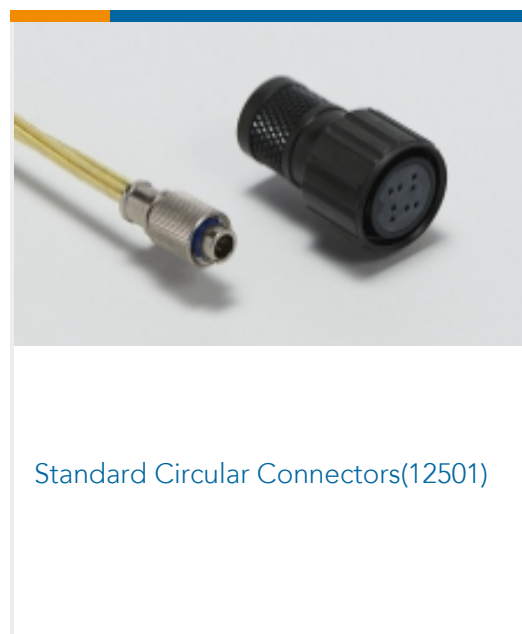
Product Compliance Disclaimer

This information is provided based on reasonable inquiry of our suppliers and represents our current actual knowledge based on the information they provided. This information is subject to change. The part numbers that TE has identified as EU RoHS compliant have a maximum concentration of 0.1% by weight in homogenous materials for lead, hexavalent chromium, mercury, PBB, PBDE, DBP, BBP, DEHP, DIBP, and 0.01% for cadmium, or qualify for an exemption to these limits as defined in the Annexes of Directive 2011/65/EU (RoHS2). Finished electrical and electronic equipment products will be CE marked as required by Directive 2011/65/EU. Components may not be CE marked. Additionally, the part numbers that TE has identified as EU ELV compliant have a maximum concentration of 0.1% by weight in homogenous materials for lead, hexavalent chromium, and mercury, and 0.01% for cadmium, or qualify for an exemption to these limits as defined in the Annexes of Directive 2000/53/EC (ELV). Regarding the REACH Regulation, the information TE provides on SVHC in articles for this part number is based on the latest European Chemicals Agency (ECHA) 'Guidance on requirements for substances in articles' posted at this URL: <https://echa.europa.eu/guidance-documents/guidance-on-reach>

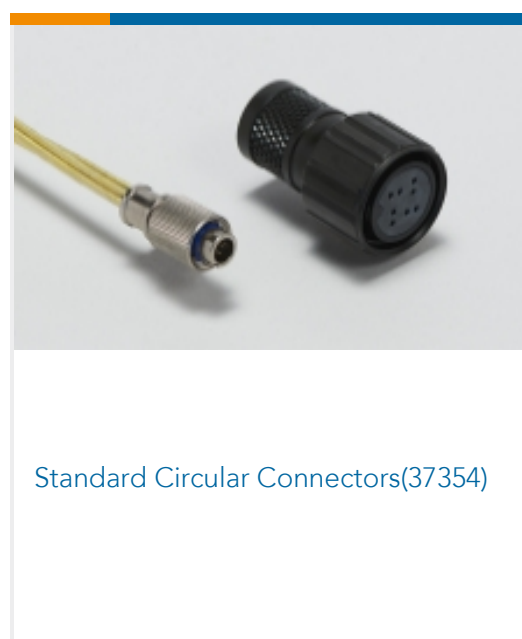
## Compatible Parts



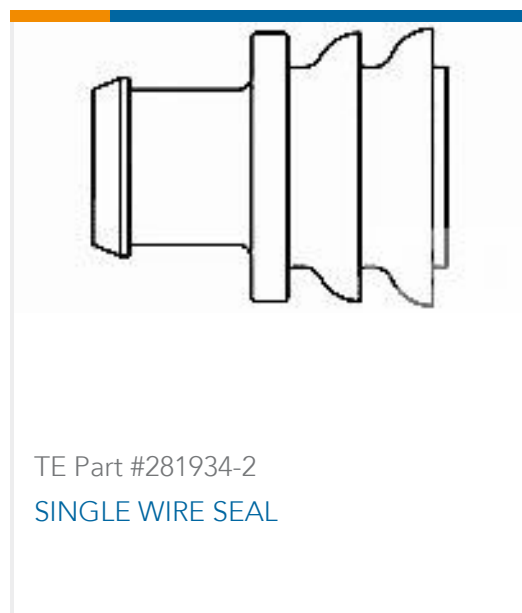
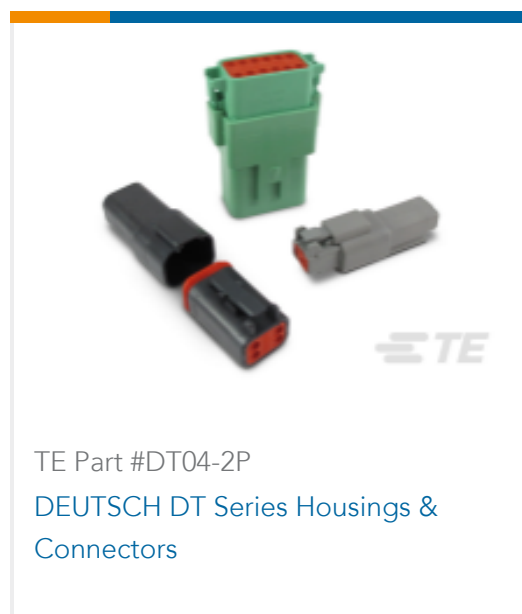
## Also in the Series | DEUTSCH 38999



## Also in the Series | DEUTSCH 38999 Series III



## Customers Also Bought



## Documents

### Product Drawings

[RECP ASSY](#)

English

### Datasheets & Catalog Pages

[DEUTSCH MIL-DTL-38999 Connectors Quick Reference Guide](#)

English